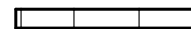
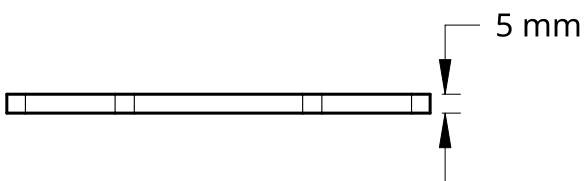
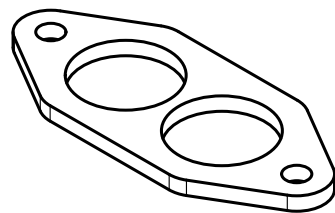
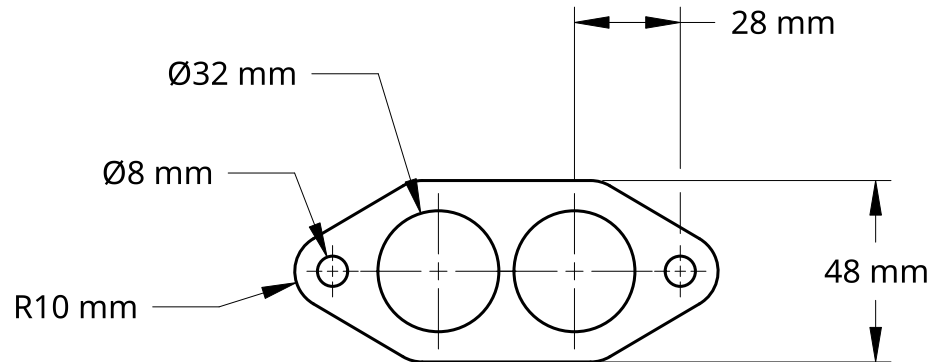
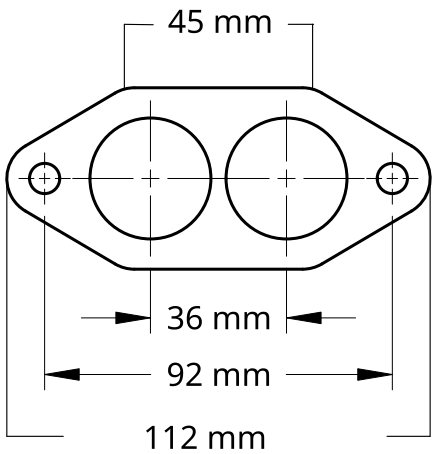


2

1



2

1

UNLESS OTHERWISE SPECIFIED, DIMENSIONS ARE IN INCHES .XX = ±.0- .XXX = ±.00- .XXXX = ±.000- SURFACE FINISH	DRAWN	NAME	DATE	TITLE		
	CHECKED	HENRI PHUNG	05/01/2024			
	APPROVED					
	DO NOT SCALE DRAWING					
BREAK ALL SHARP EDGES AND REMOVE BURRS				SIZE	DWG NO.	REV.
THIRD ANGLE PROJECTION	MATERIAL	FINISH		A		
				SCALE	WEIGHT	SHEET
				1:2		1 of 1