

F

E

D

C

B

A

4

4

3

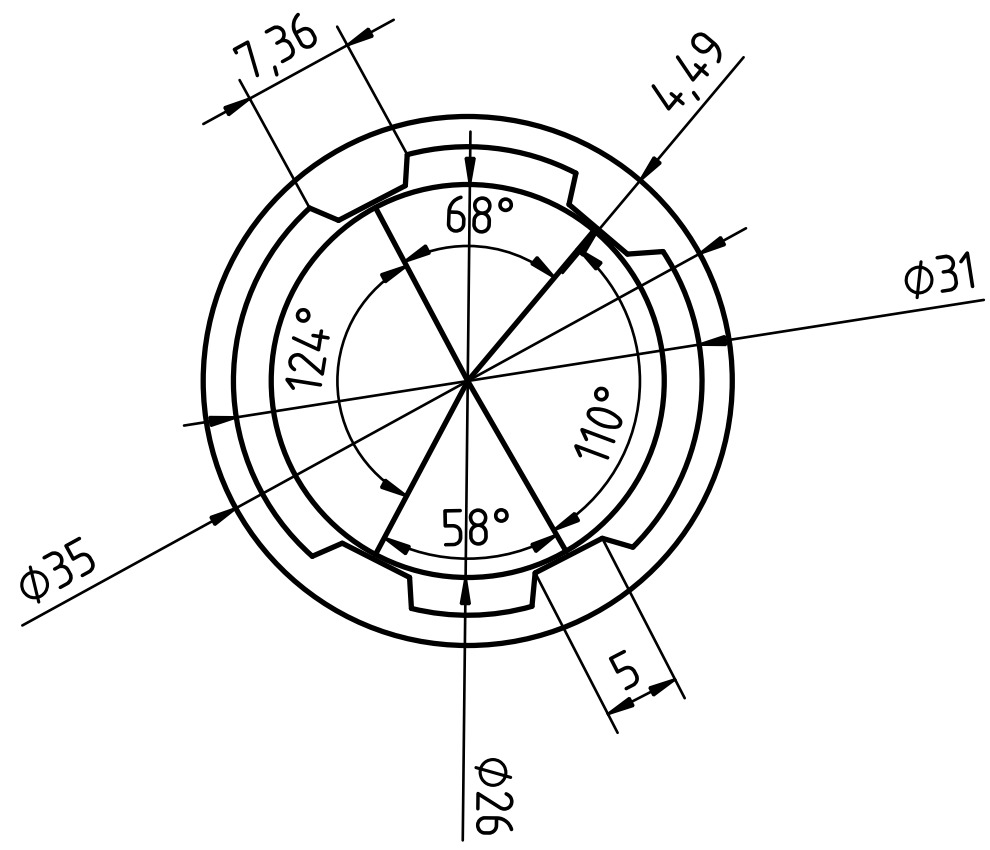
3


2

2

1

1



|                                                                                                   |             |                                                                                       |       |   |   |
|---------------------------------------------------------------------------------------------------|-------------|---------------------------------------------------------------------------------------|-------|---|---|
| DESIGNED BY:<br>Designed by Name                                                                  |             | Title                                                                                 |       | G | — |
| DATE:<br>Date                                                                                     |             | Subtitle                                                                              |       | F | — |
| SIZE<br>A4                                                                                        |             |  |       | E | — |
|                                                                                                   |             |                                                                                       |       | D | — |
| SCALE                                                                                             | WEIGHT (kg) | DRAWING NUMBER                                                                        | SHEET | C | — |
| Scale                                                                                             | Weight      | Drawing number                                                                        | Sheet | B | — |
| This drawing is our property, it can't be reproduced or communicated without our written consent. |             |                                                                                       |       | A | — |

F

E

D