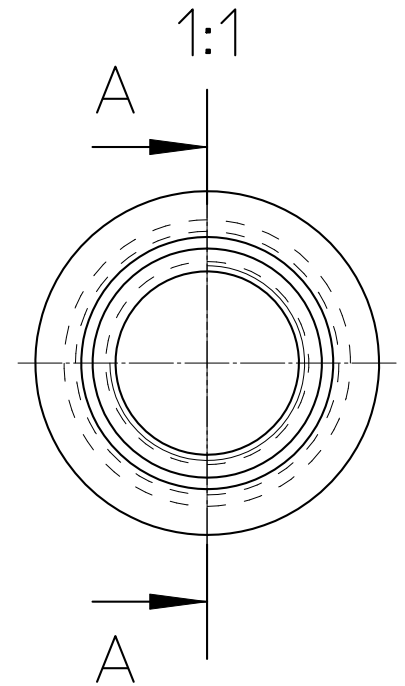
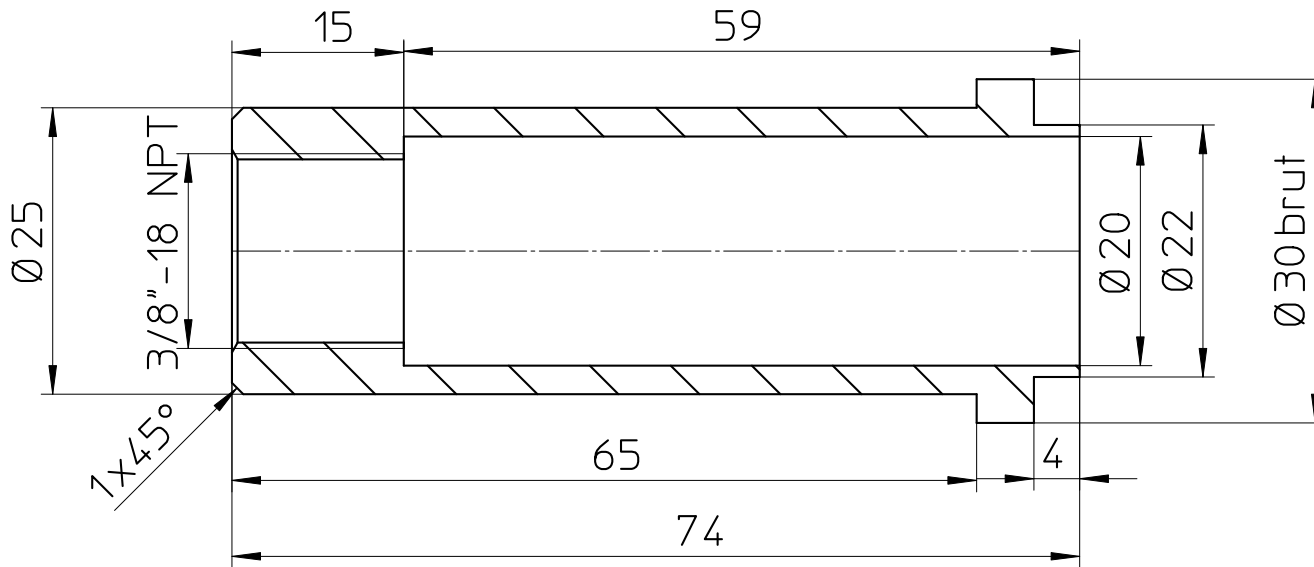


Cross-section A-A

1:1



ALUMINIUM SOUDABLE