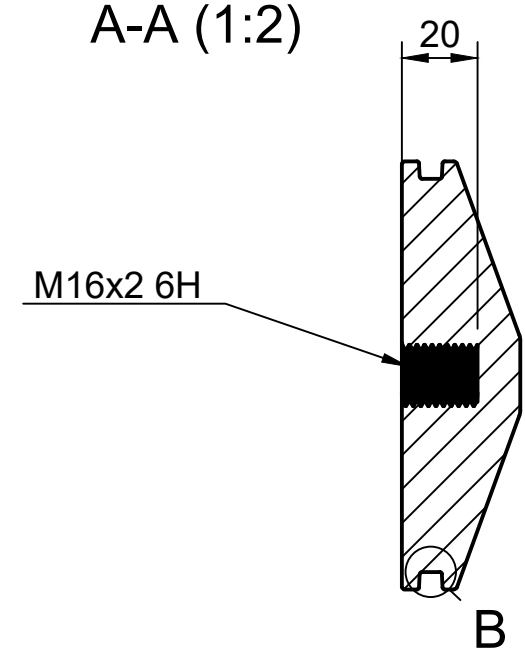
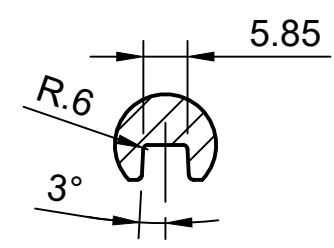


A-A (1:2)



B (1:1)



Dept. MECA	Technical reference FPV2 Pist	Created by Tom Samson 28/03/2024	Approved by	
		Document type	Document status	
		Title PLAN PISTON FPV2 Plan pour usinage	DWG No.	
Rev. AA	Date of issue		Sheet 1/1	