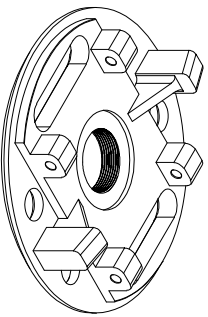
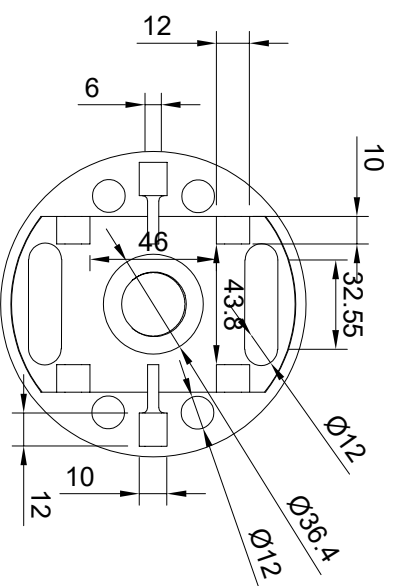
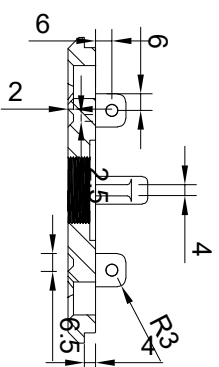
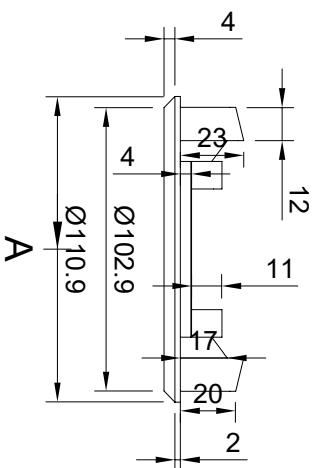
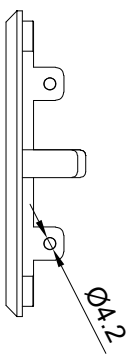
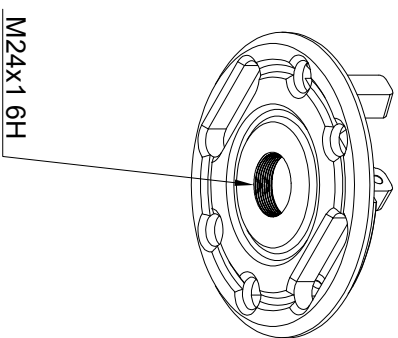


A-A (1:2)



Dept:	Technical reference	Created by	Approved by
		L.L Services	
	Document type	25/03/2024	Document status

Title  
**Flasque variateur**

Rev.	Date of issue	Sheet
		1/1