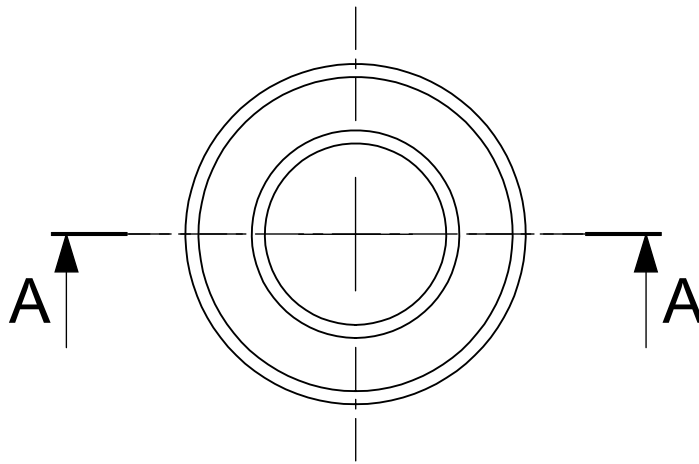
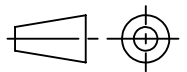


A-A



REVISION:	3			6	
	2			5	
	1			4	



EBAVURAGE GENERAL / BREAK ALL SHARP EDGES

matière / material: AISI 304L		This print is the property of Serac. Its use is valid only for the purpose for which it was intended. Any other use, copy, or reproduction without the written permission of Serac is prohibited.			format: size: S4
débit / raw material:		tolérances générales: tolerance: ISO 2768-mK	état de surface: roughness: 3.2 / ✓ ✓	poli / finish:	traitement / treatment:
contrôleur / check by:		issu de / based on:		groupe / group: XX	
dessiné par / drawn by: Erwan Tessier		DESIGNATION / DESCRIPTION ENTRETOISE ROULEMENT			référence / drawing number ENTRETOISE
Ech: 3:1 Sc:					