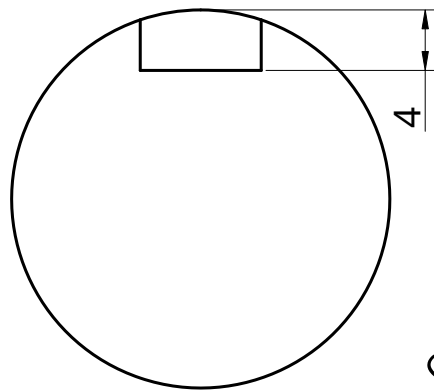
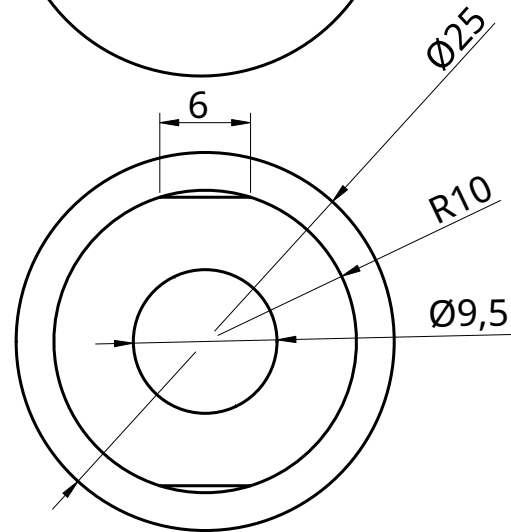


1:1



4

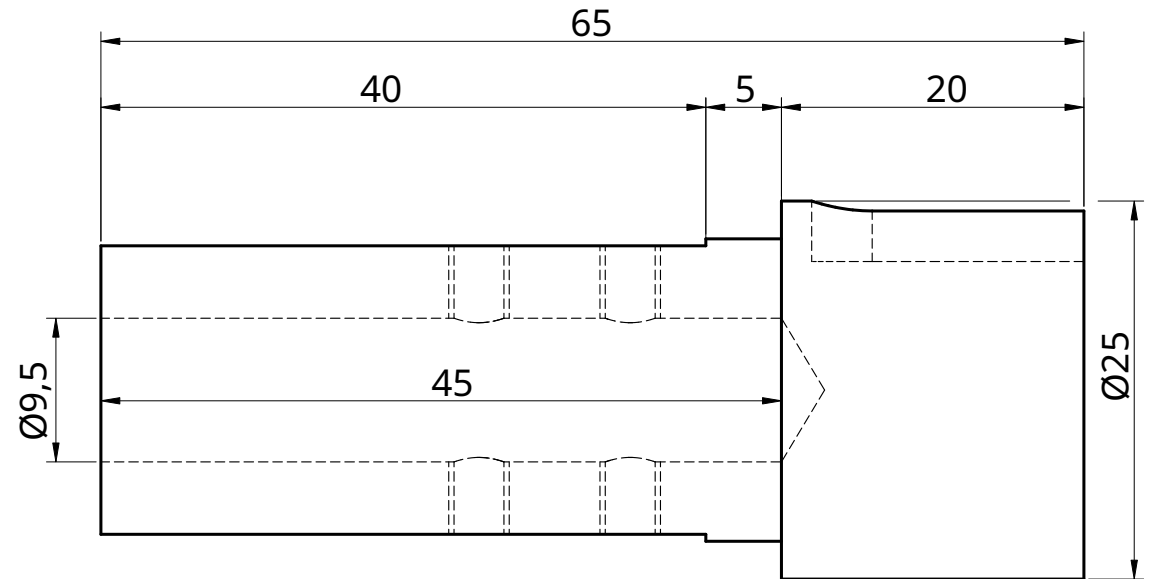


Ø25

6

R10

Ø9,5



65

40

5

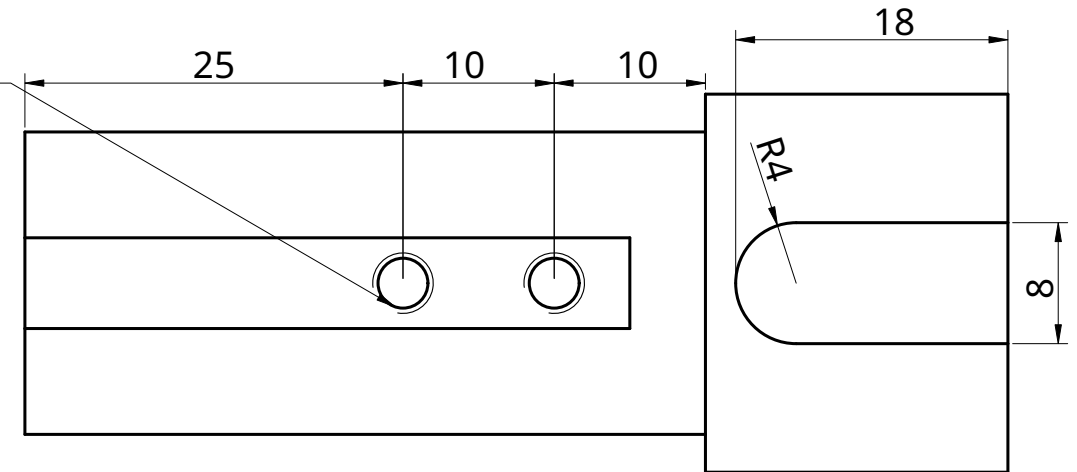
20

Ø9,5

45

Ø25

4 * Ø3,3 THRU
M4x0,70 THRU



25



10

10

18

R4

8

UNLESS OTHERWISE SPECIFIED, DIMENSIONS ARE IN MILLIMETERS ANGULAR = ± ° SURFACE FINISH  DO NOT SCALE DRAWING BREAK ALL SHARP EDGES AND REMOVE BURRS FIRST ANGLE PROJECTION 	NAME	SIGNATURE	DATE	TITLE	
	DRAWN	MULA GABRIEL	2024-02-25		
	CHECKED				
	APPROVED				
MATERIAL	FINISH		SIZE A4	DWG. NO.	REV.
			SCALE 2:1	WEIGHT	SHEET 1 of 1