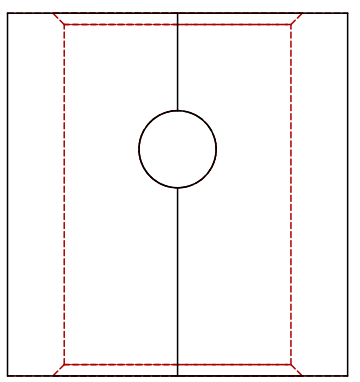
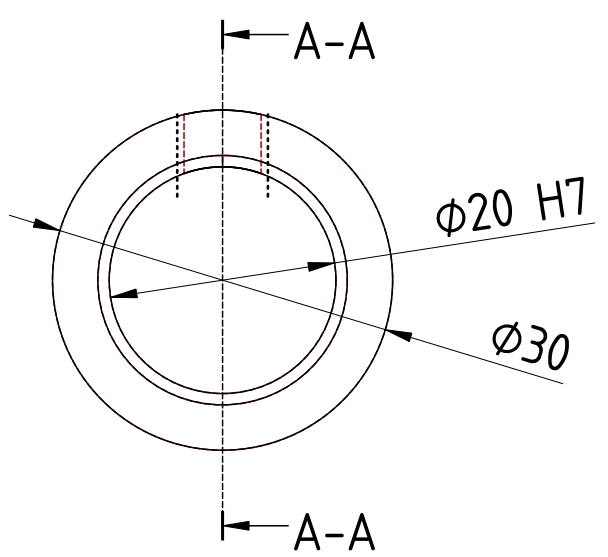
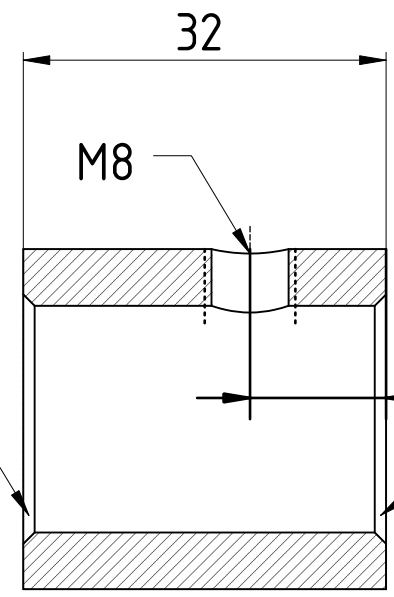


F E D C B A

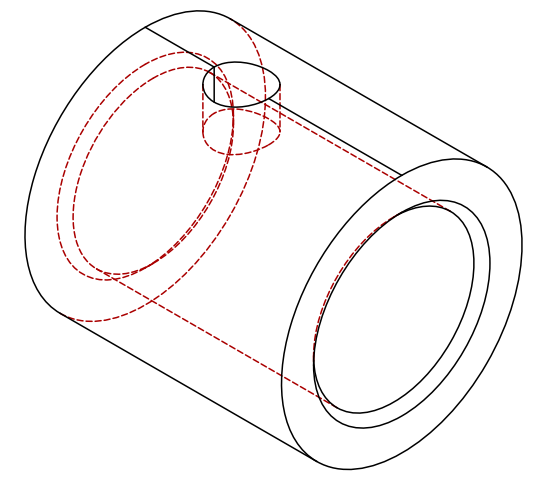
4  
3  
2  
1



chanfrein 1x45°



Section A-A



DESIGNED BY: <b>Renaud</b>		<b>LUREM C260N</b>		G	—
DATE: <b>25/02/2024</b>		Baque rouleau presseur		F	—
SIZE <b>A4</b>	unité mm	Matière acier		E	—
SCALE <b>3:2</b>	WEIGHT (kg) <b>Weight</b>	DRAWING NUMBER <b>Drawing number</b>	SHEET <b>1</b>	D	—
This drawing is our property; it can't be reproduced or communicated without our written consent.				C	—
				B	—
				A	—

F E D