

D

C

B

A

4

4

3

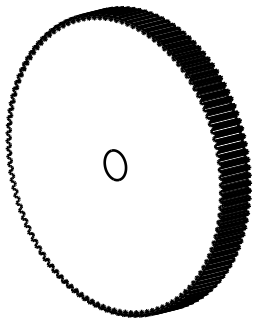
3

2

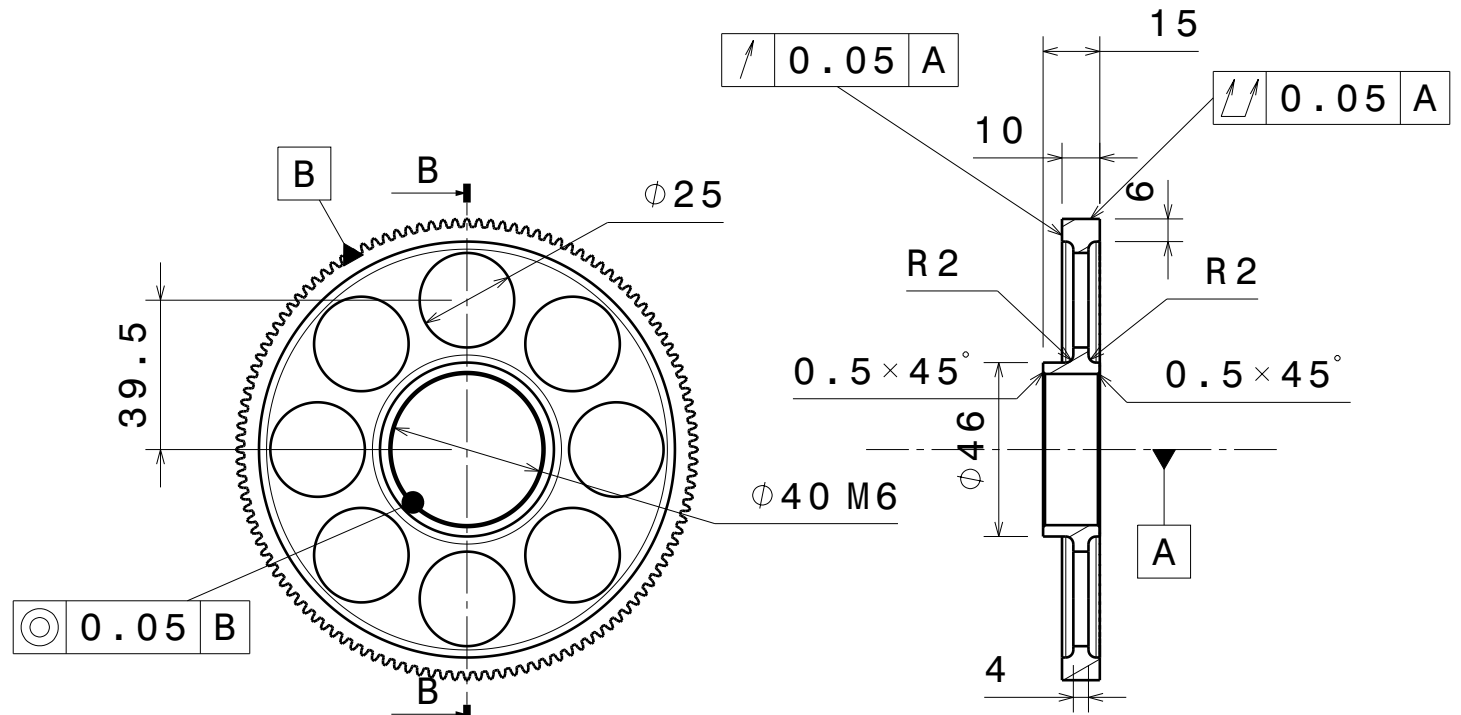
2

1

1

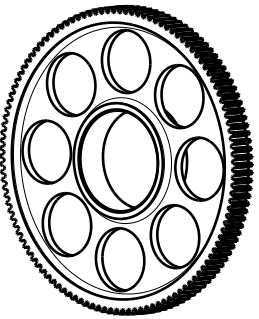


PIGNON AVANT REPRISE



Vue de face
Echelle : 1:2

Coupe B-B
Echelle : 1:2



PIGNON APRES REPRISE

DESIGNED BY: Robin		<h1>Reprise pignon 120 dents</h1>		I	-
DATE: 26/12/2020				H	-
CHECKED BY:		<h1>PV3e</h1>		G	-
DATE:				F	-
SIZE A4		<h1>Pignon HPC YG1-120</h1>		E	-
SCALE 1:1	Quantity 1			C	-
		1 / 1		B	-
				A	-

This drawing is our property, it can't be reproduced or communicated without our written agreement.

D

A