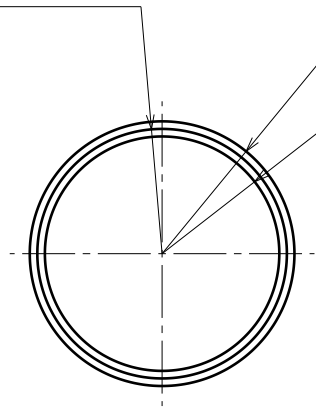
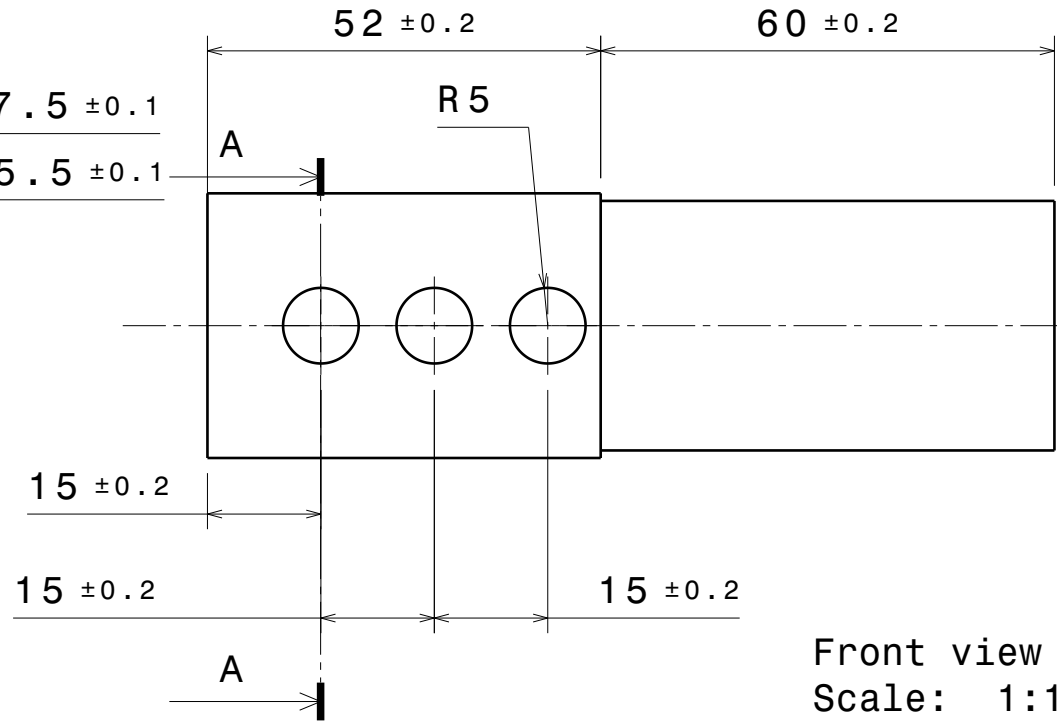


R 16.5 $\begin{matrix} -0.05 \\ 0 \end{matrix}$



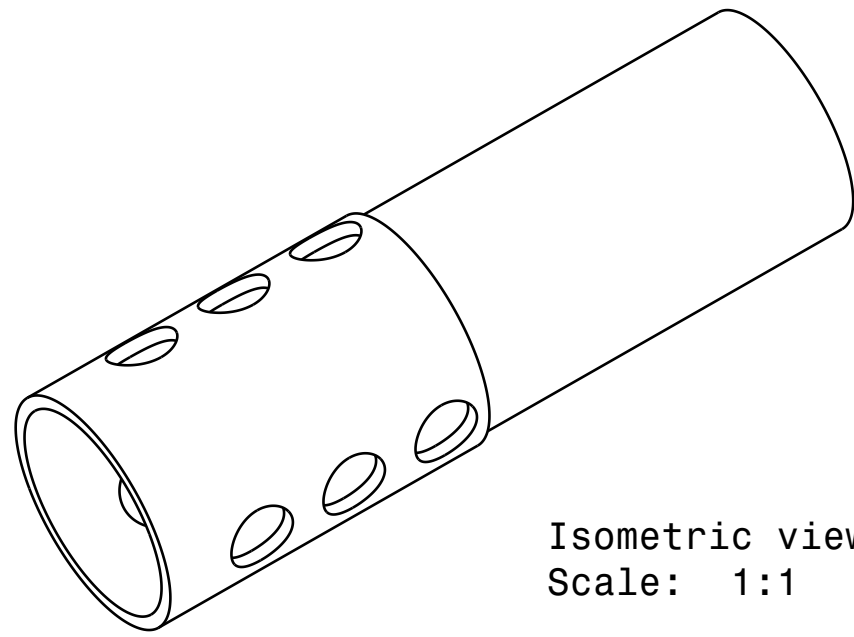
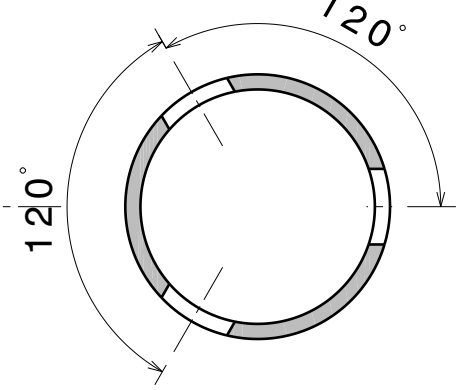
Right view
Scale: 1:1

R 17.5 ± 0.1
R 15.5 ± 0.1



Front view
Scale: 1:1

Section view A-A
Scale: 1:1



Isometric view
Scale: 1:1

Matiere : inox