

12

11

10

9

8

7

6

5

4

3

2

1

H

G

F

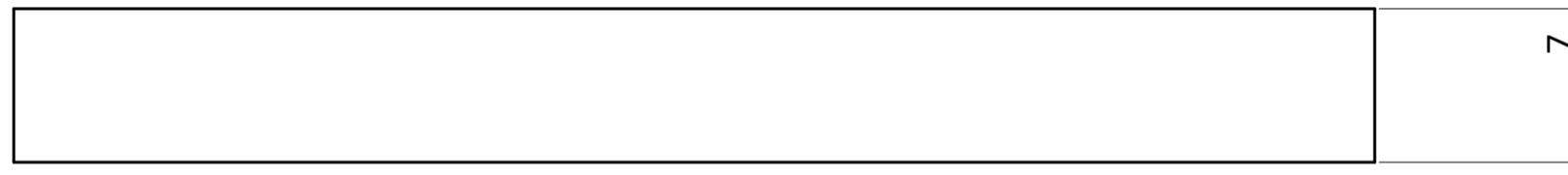
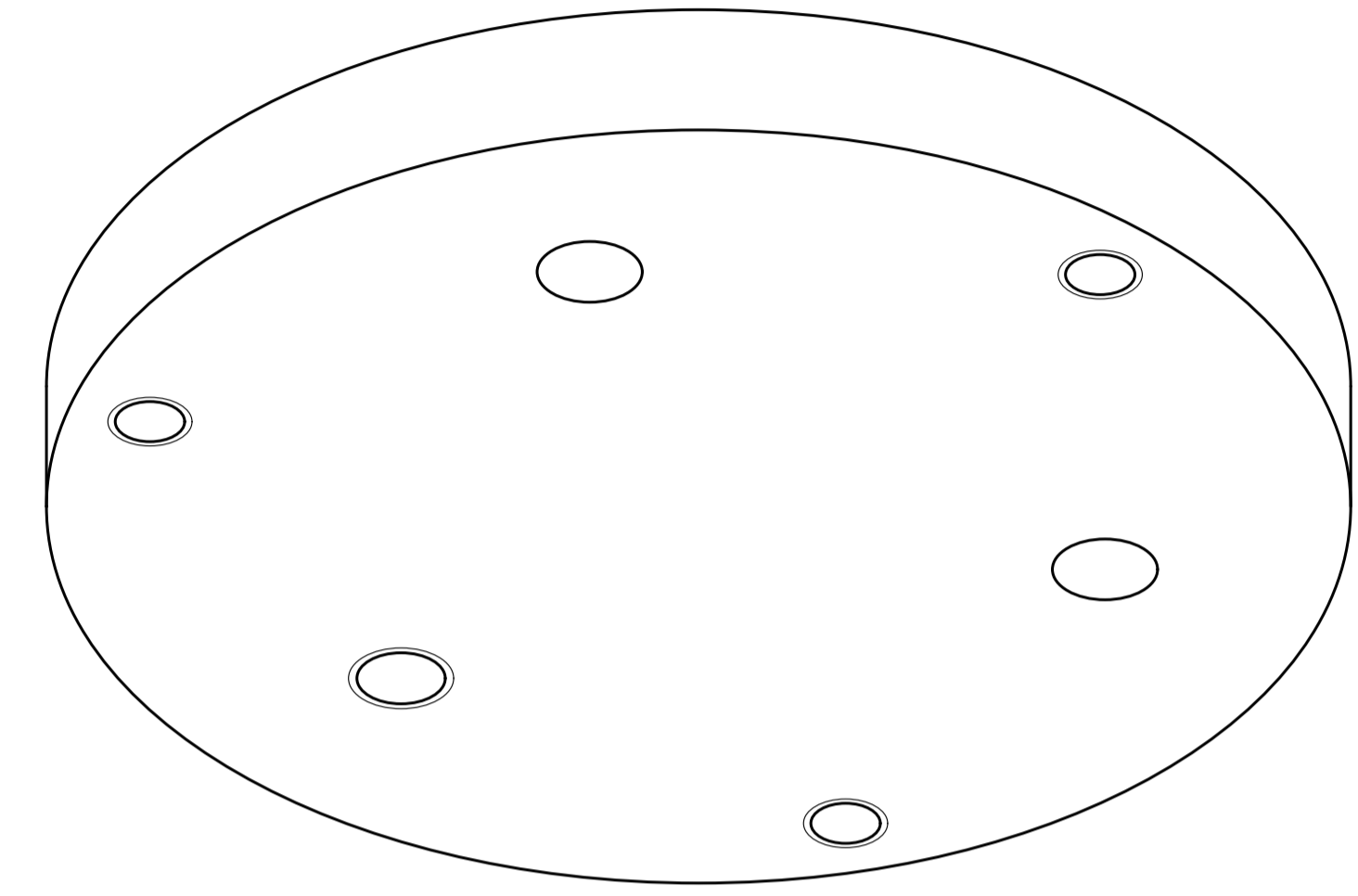
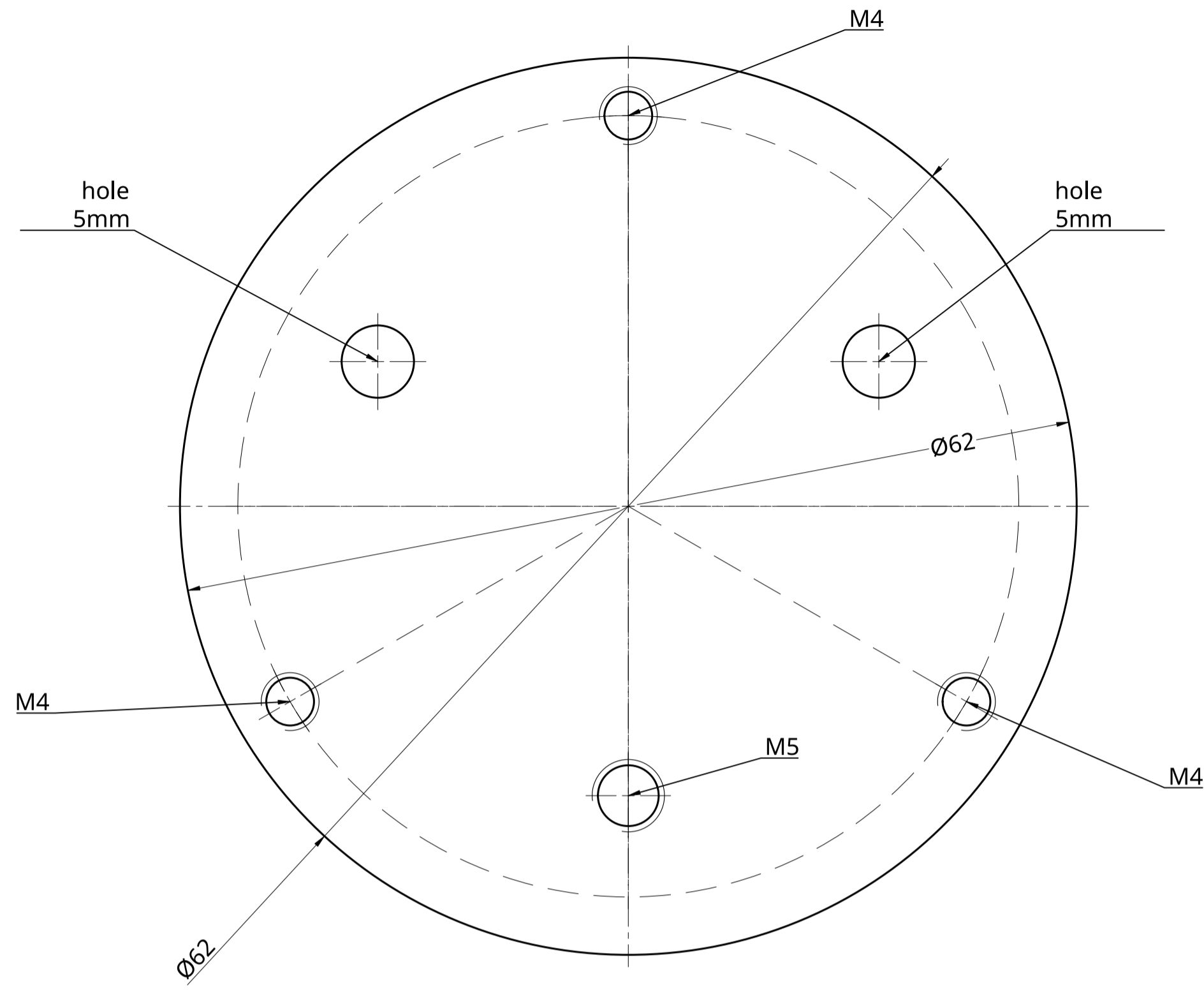
E

D

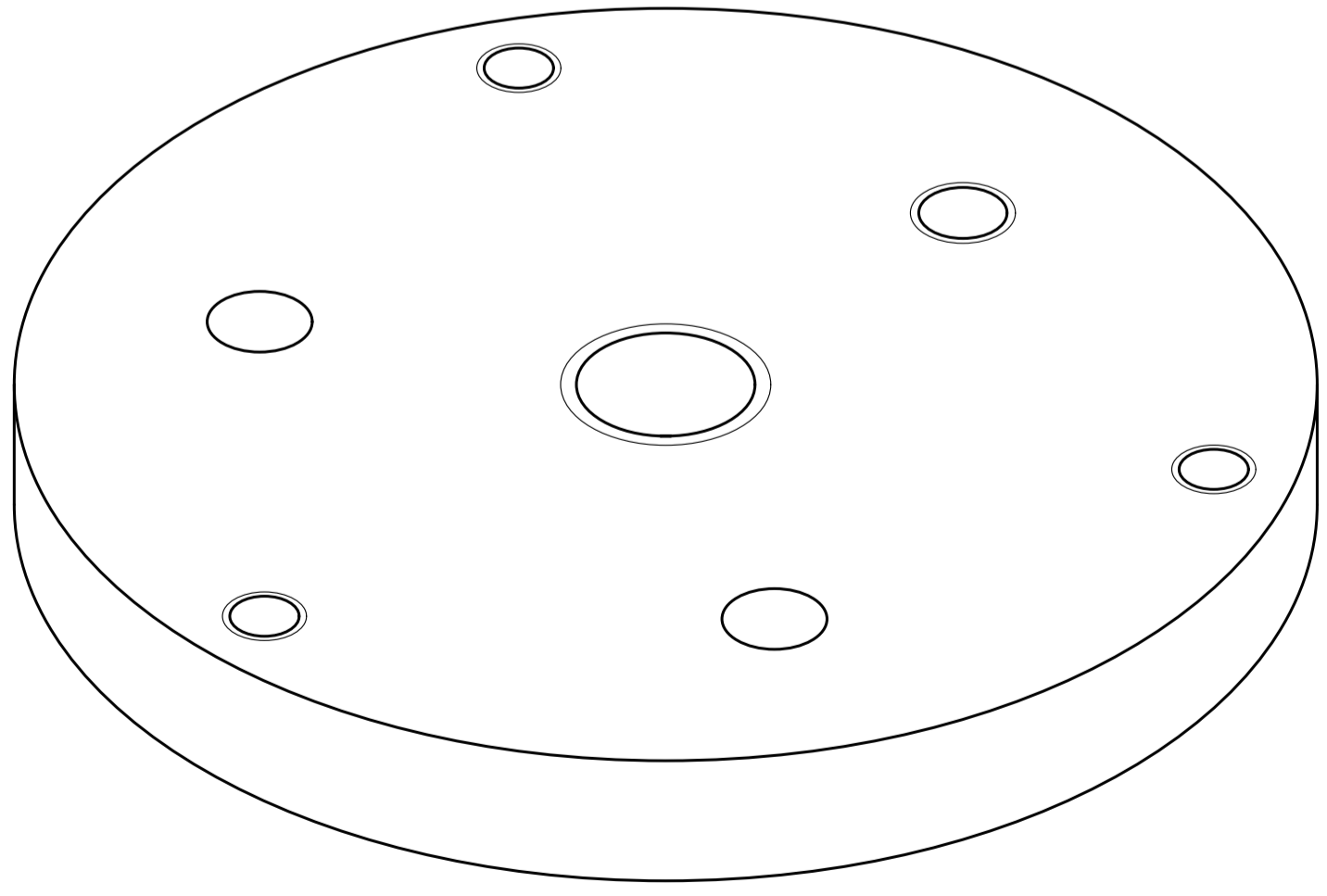
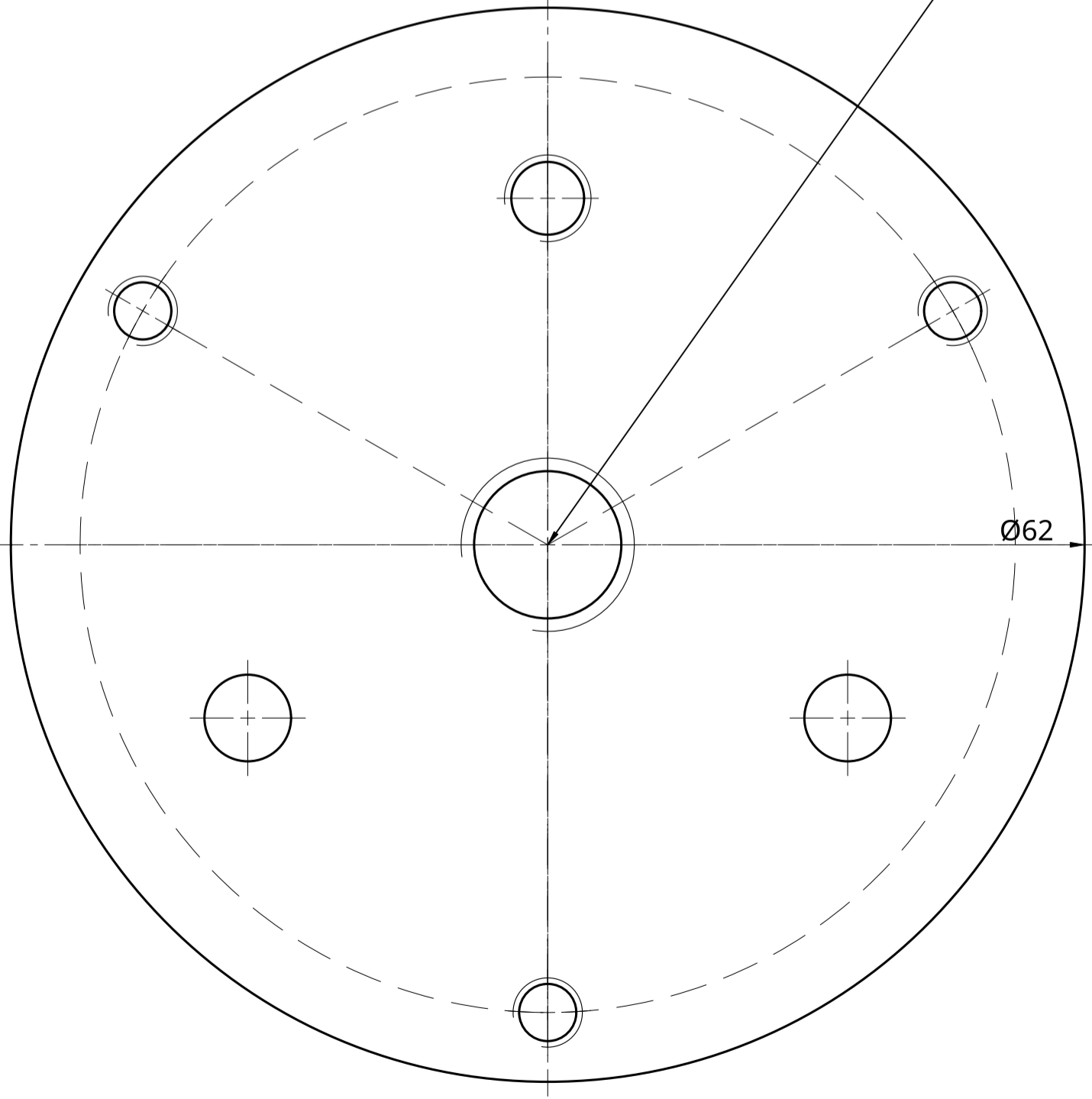
C

B

A



M10 threaded on 6mm, then 1mm no thread (butée)



UNLESS OTHERWISE SPECIFIED, DIMENSIONS ARE IN MILLIMETERS				NAME		SIGNATURE		DATE	
ANGULAR = ±°				LEO CAZALAA				2024-01-08	
SURFACE FINISH				CHECKED		APPROVED		TITLE	
DO NOT SCALE DRAWING									
BREAK ALL SHARP EDGES AND REMOVE BURRS									
FIRST ANGLE PROJECTION				MATERIAL		FINISH		SIZE	
				stainless steel				A1	
				SCALE		WEIGHT		SHEET	
				3:1				1 of 1	

12

11

10

9

8

7

6

5

4

3

2

1

H

G

F

E

D

C

B

A