

D

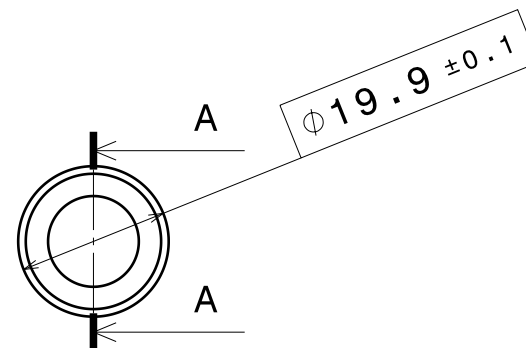
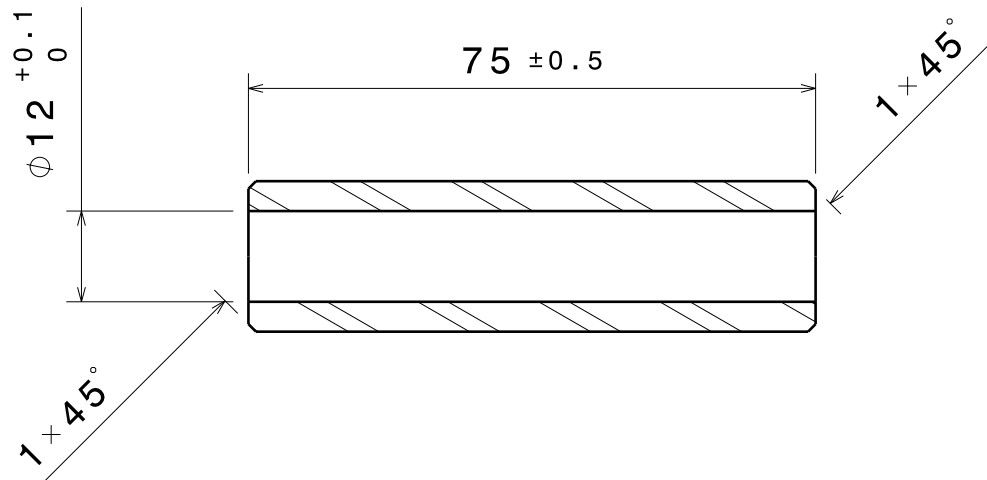
C

B

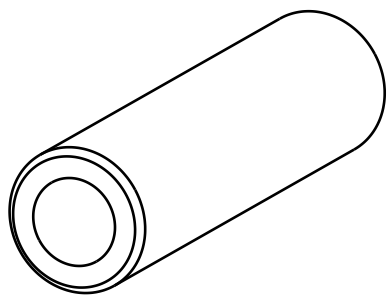
A

Coupe A-A
Echelle : 1:1

Vue de face
Echelle : 1:1



Vue isométrique
Echelle : 1:1



DESIGNED BY: XXX		ENTRETOISE - D20 - GALET CHAINE PAS	
DATE: 26-02-2020			
MATERIAL alu AGS1 6082 T6 or 6060T6		TURNING	
TOLERANCE JS13			
SIZE A4			
QUANTITY 1	WEIGHT 40g	DRAWING NUMBER N°4130-RD00	SHEET 1 / 1

This drawing is our property; it can't be reproduced or communicated without our written agreement.

D

A