

D

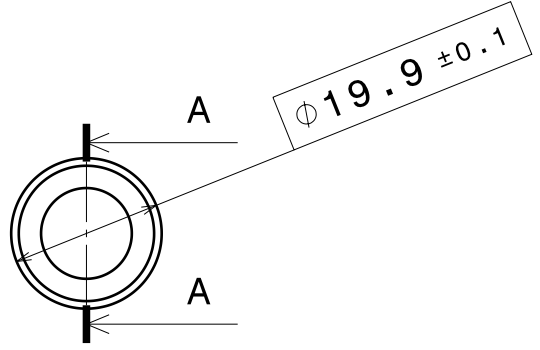
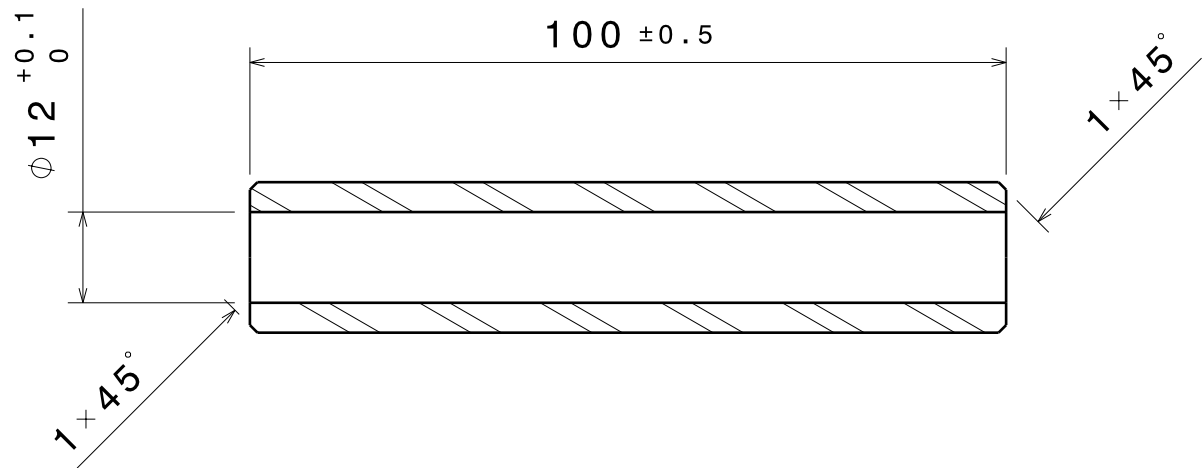
C

B

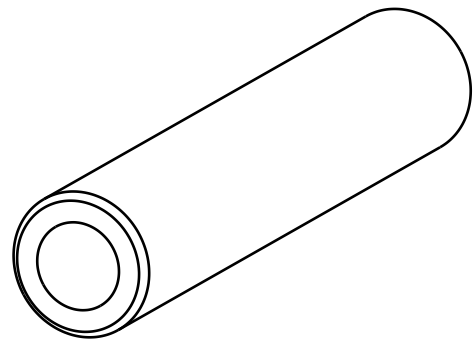
A

Coupe A-A
Echelle : 1:1

Vue de face
Echelle : 1:1



Vue isométrique
Echelle : 1:1



DESIGNED BY: XXX		ENTRETOISE - D20 - TOLE - PONTET - PIVOT - WATTS	
DATE: 26-02-2020			
MATERIAL alu AGS1 6082 T6 or 6060T6		TURNING	
TOLERANCE JS13			
SIZE A4		DRAWING NUMBER N°4116-RD02	
QUANTITY 1	WEIGHT 54g		

This drawing is our property; it can't be reproduced or communicated without our written agreement.

D

A

4

4

3

3

2

2

1

1