

F E D C B A

4

3

2

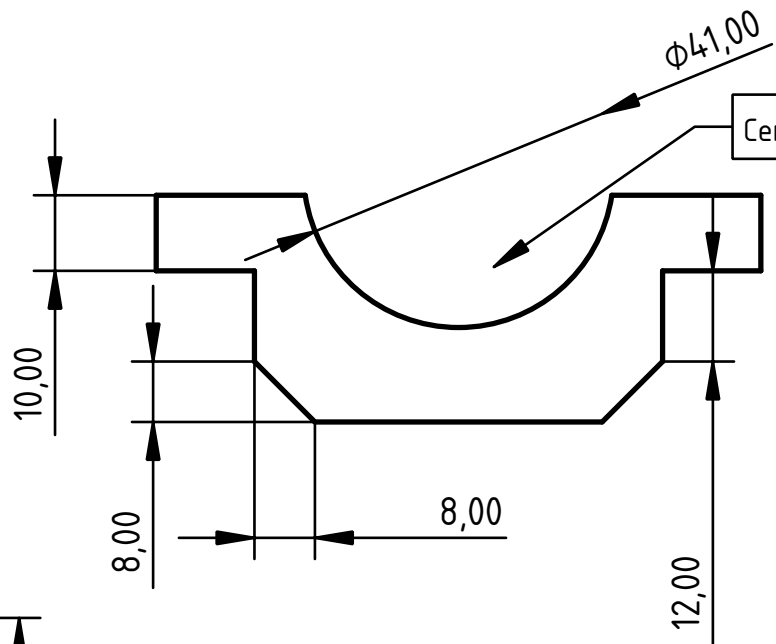
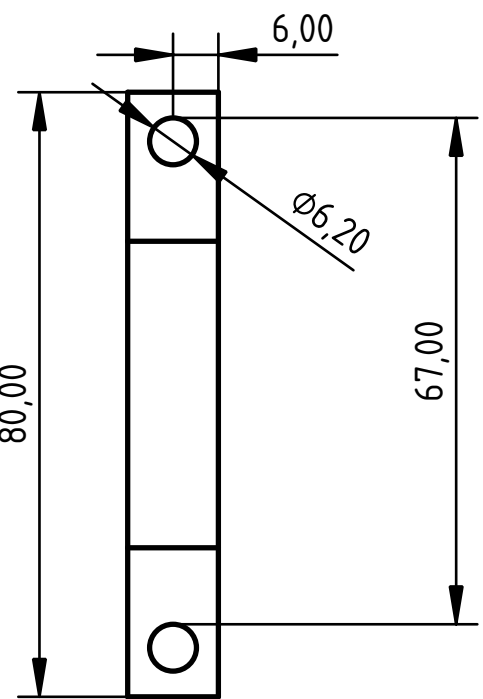
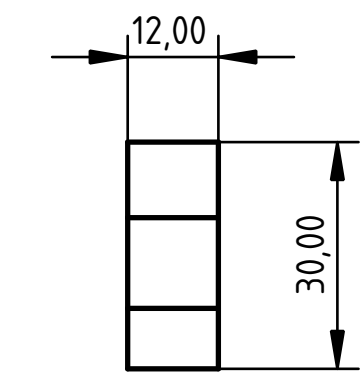
1

4

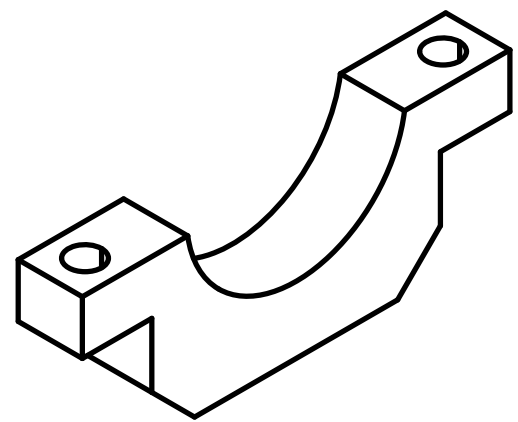
3


2

1



Centre du cercle, à 3mm de la base de la pièce



DESIGNED BY: FAZY		Fixation du verrou		G	—
DATE: 12/23				F	—
SIZE A4				E	—
SCALE 1	WEIGHT (kg) Weight			DRAWING NUMBER 1	SHEET Sheet
This drawing is our property; it can't be reproduced or communicated without our written consent.				C	—
				B	—
				A	—

F E D