

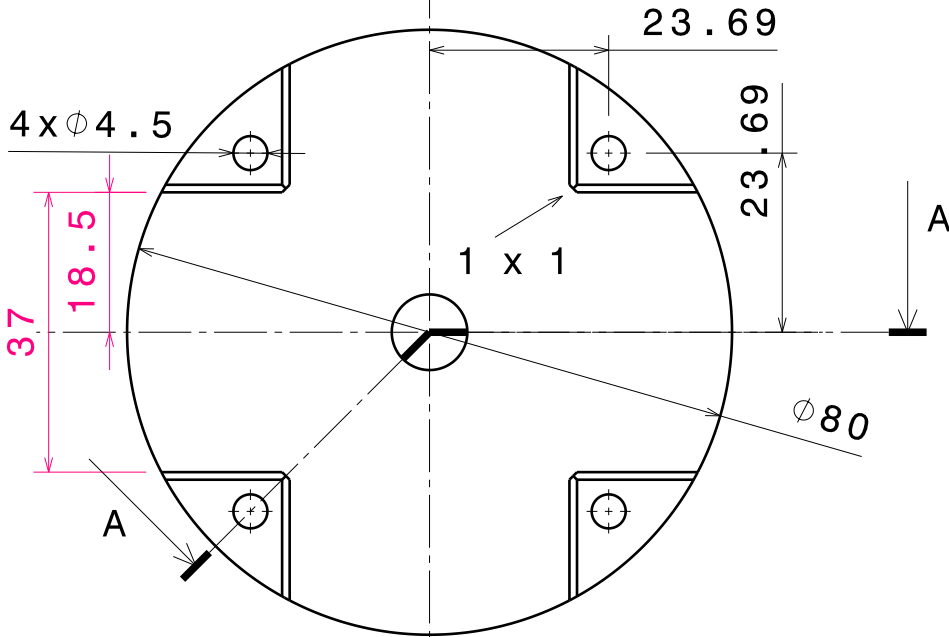
D

C

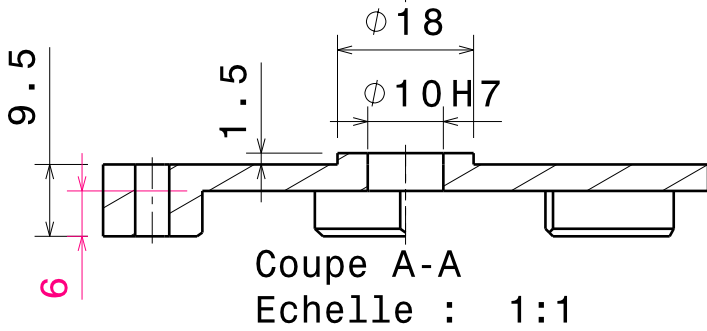
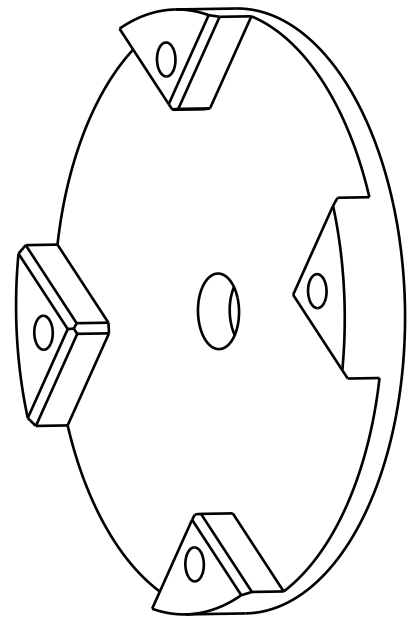
B

A

Vue de face
Echelle : 1:1



Vue isométrique
Echelle : 1:1



Coupe A-A
Echelle : 1:1

DESIGNED BY: Lucas	<h1>Bride</h1>
DATE: 07/04/2023	
CHECKED BY: XXX	
DATE: XXX	
SIZE A4	ACIER INOX STANDARD
SCALE 1:1	WEIGHT (kg)
	DRAWING NUMBER
	SHEET 1/1

I	-
H	-
G	-
F	-
E	-
D	-
C	-
B	-
A	-

This drawing is our property; it can't be reproduced or communicated without our written agreement.

D

A