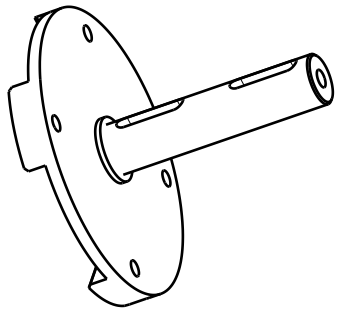
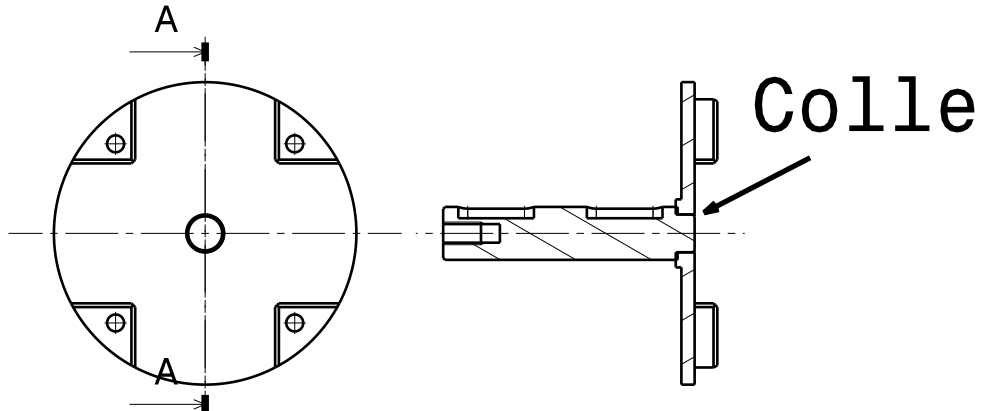


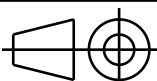
Vue isométrique
Echelle : 1:2



Vue isométrique
Echelle : 1:2



Vue de face Coupe A-A
Echelle : 1:2 Echelle : 1:2

DESIGNED BY: Lucas		<h1>SE_AxeBride</h1>		I	-
DATE: 07/04/2023				H	-
CHECKED BY: XXX		ACIER INOX STANDARD		G	-
DATE: XXX				F	-
SIZE A4		1:1		E	-
SCALE	WEIGHT (kg)			D	-
DRAWING NUMBER		SHEET		C	-
		1 / 1		B	-
This drawing is our property; it can't be reproduced or communicated without our written agreement.				A	-