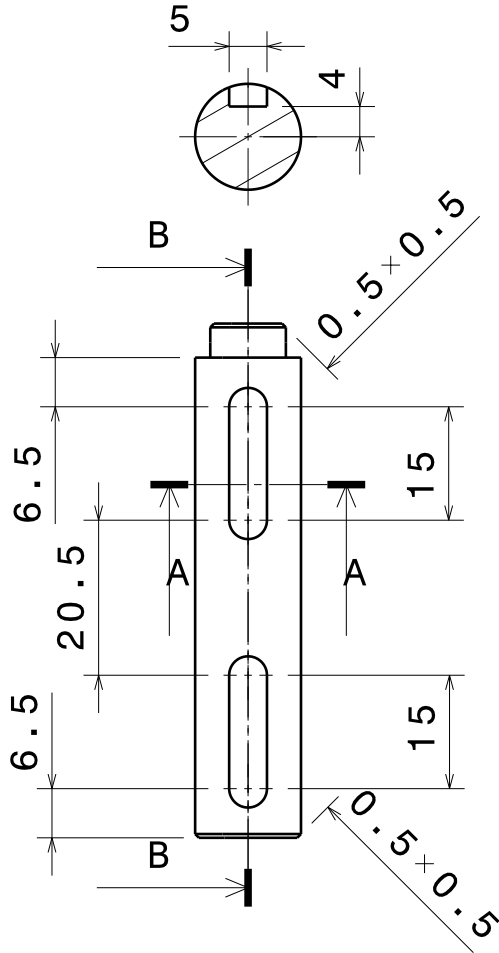
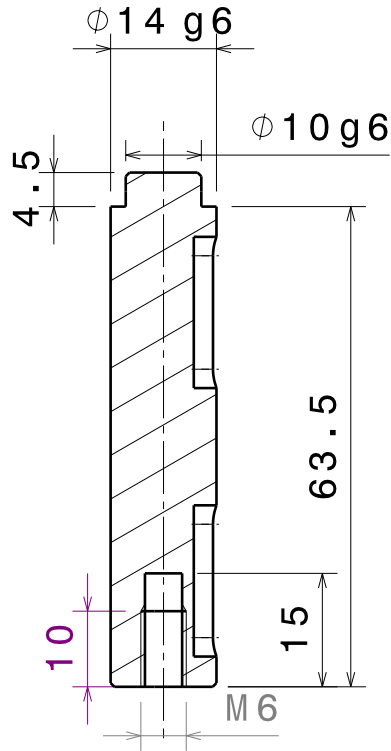


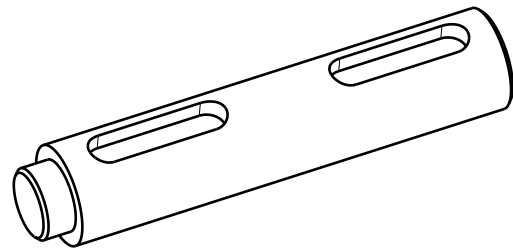
Coupe A-A
Echelle : 1:1



Coupe B-B
Echelle : 1:1



Vue de face
Echelle : 1:1



Vue isométrique
Echelle : 1:1

DESIGNED BY: Lucas	<h1>Arbre</h1>
DATE: 07/04/2023	
CHECKED BY: XXX	<h2>ACIER INOX STANDARD</h2>
DATE: XXX	
SIZE A4	
SCALE 1:1	
WEIGHT (kg)	DRAWING NUMBER
	SHEET 1/1

I	-
H	-
G	-
F	-
E	-
D	-
C	-
B	-
A	-

This drawing is our property; it can't be reproduced or communicated without our written agreement.