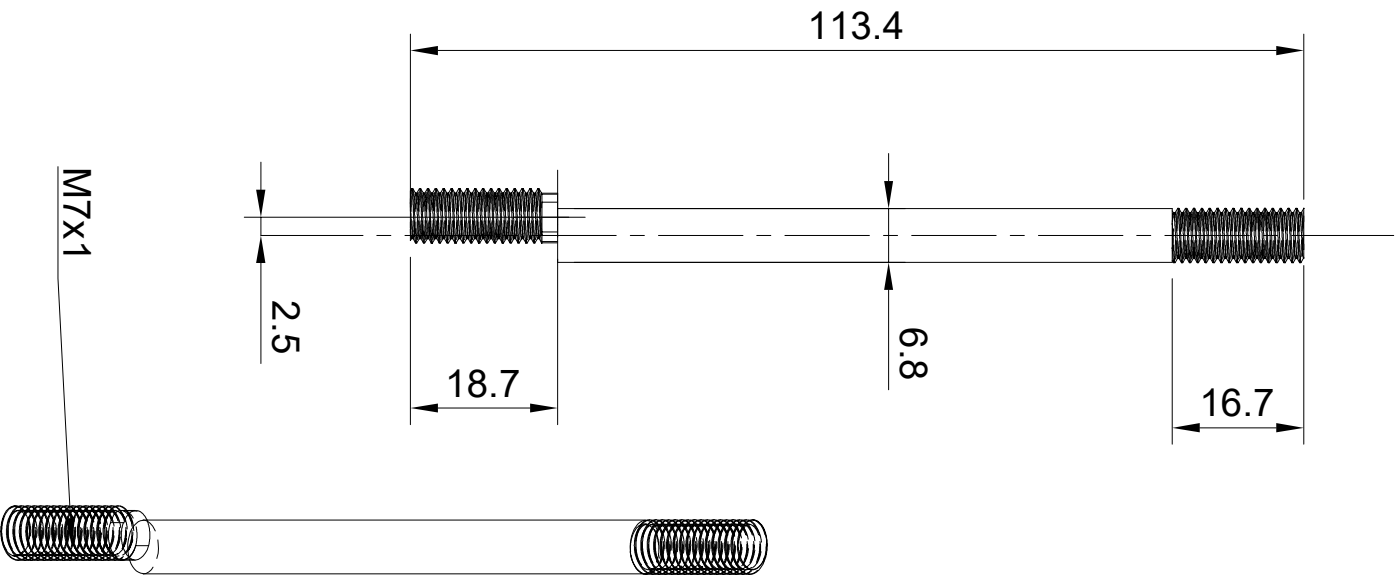


A faire 4 fois en acier



Dept.	Technical reference	Created by	Approved by		
		L.L Services			
		19/11/2023	Document status		
		Document type	DWG No.	Rev.	Date of issue
		Title	Sheet		
		Goujon excentré	1/1		
		M7x1			