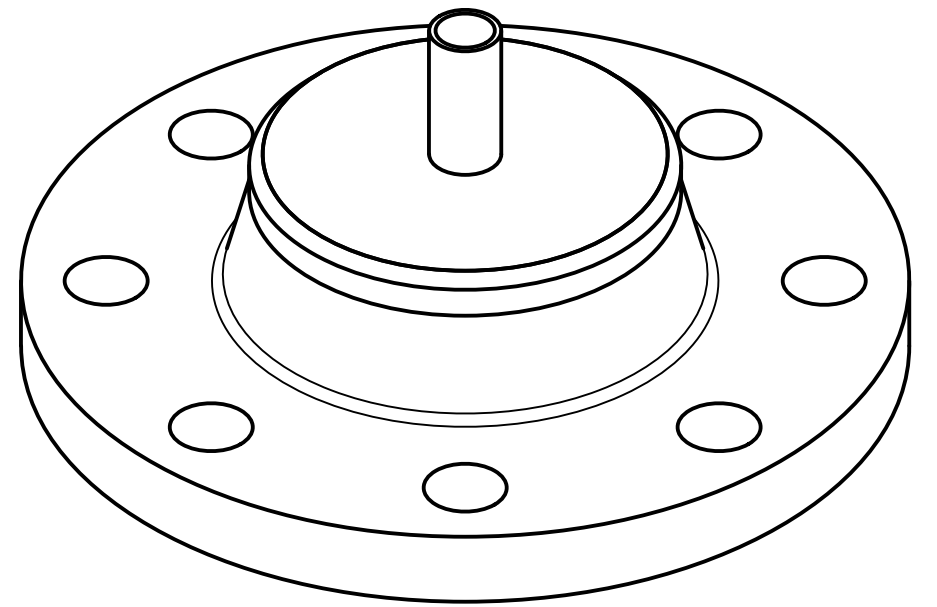
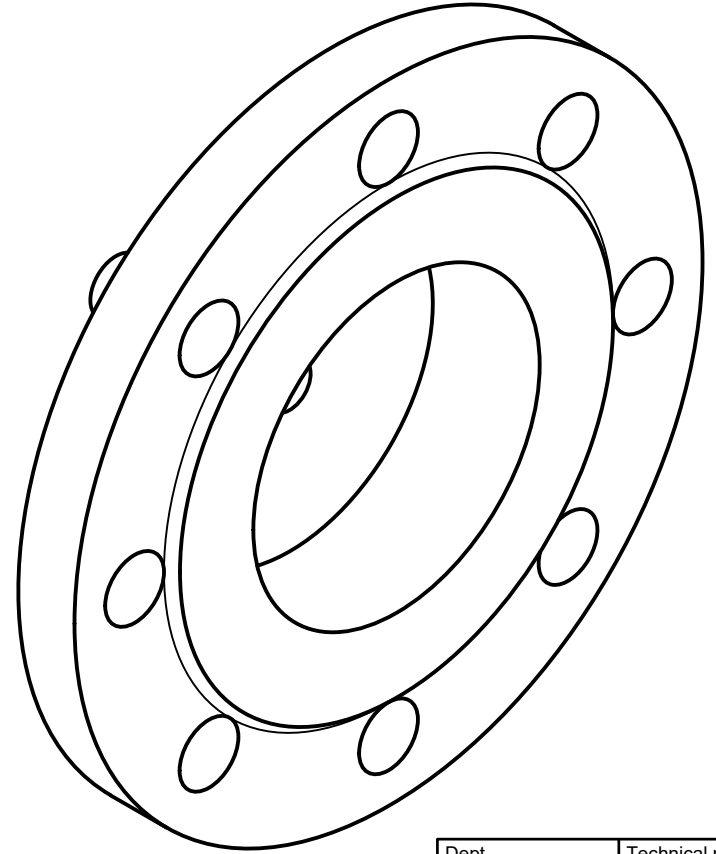
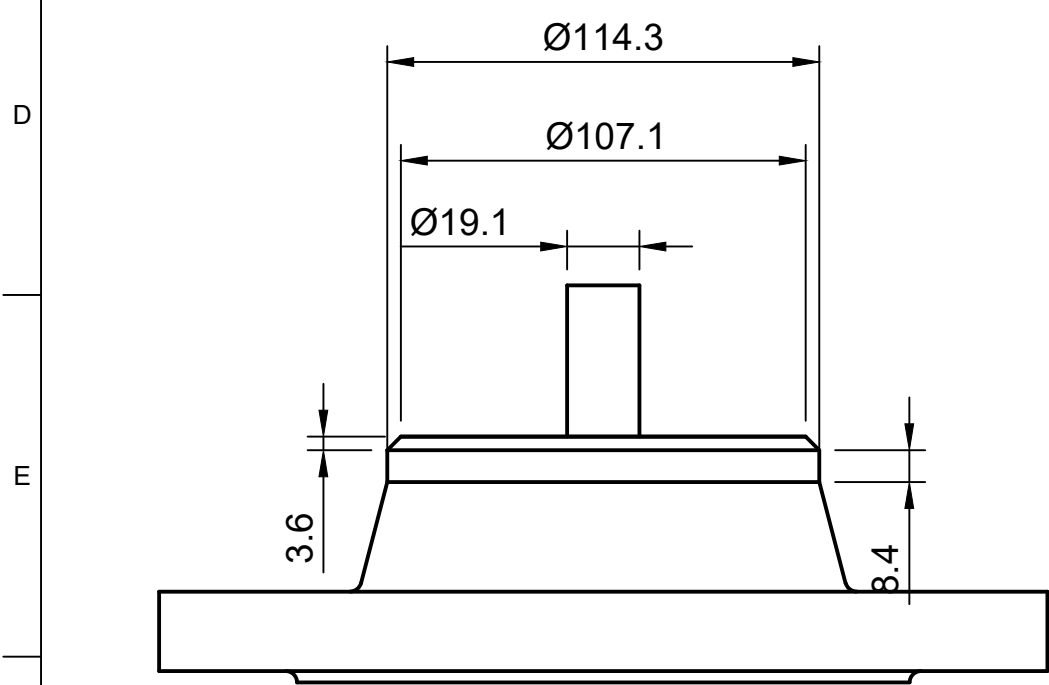
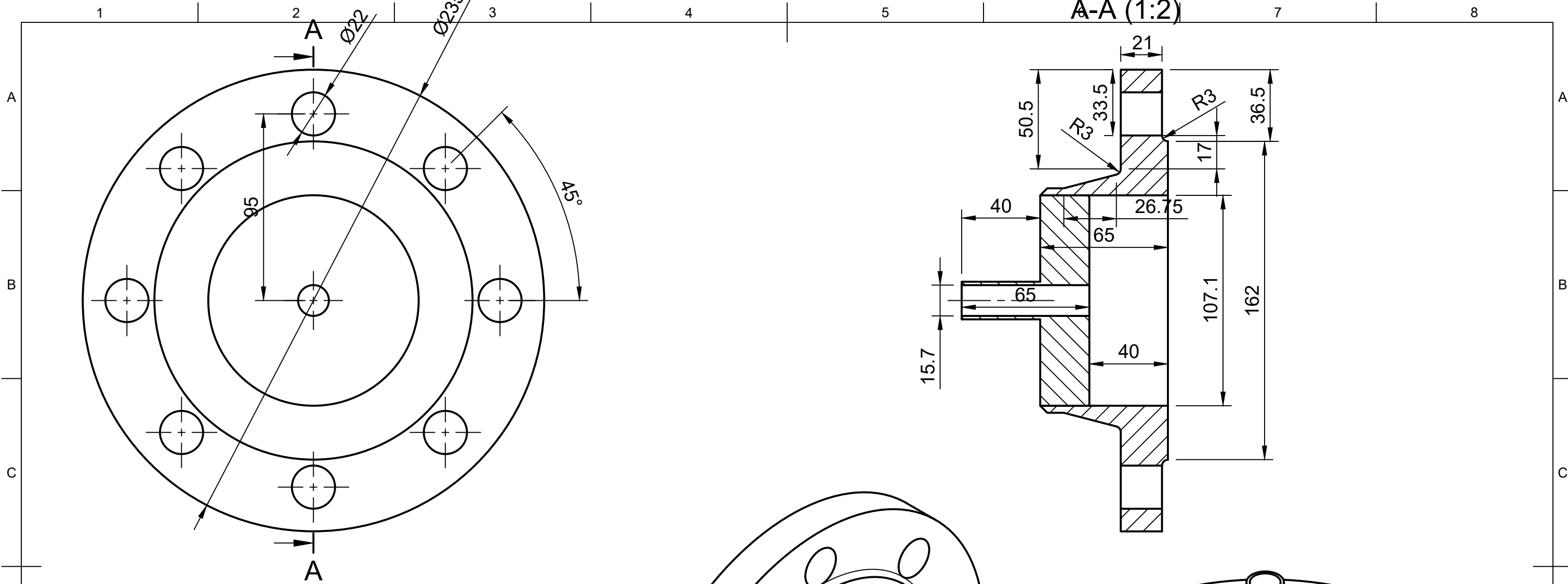


A-A (1:2)



Dept.	Technical reference	Created by <b>Guillaume Bailly 21/09/2023</b>	Approved by
		Document type	Document status
		Title <b>Plenum</b>	DWG No.
Rev.	Date of issue	Sheet <b>1/1</b>	