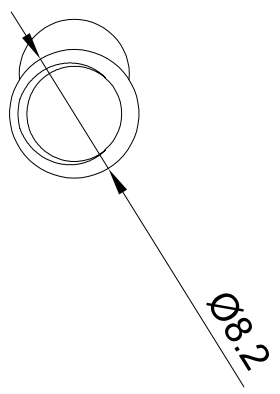
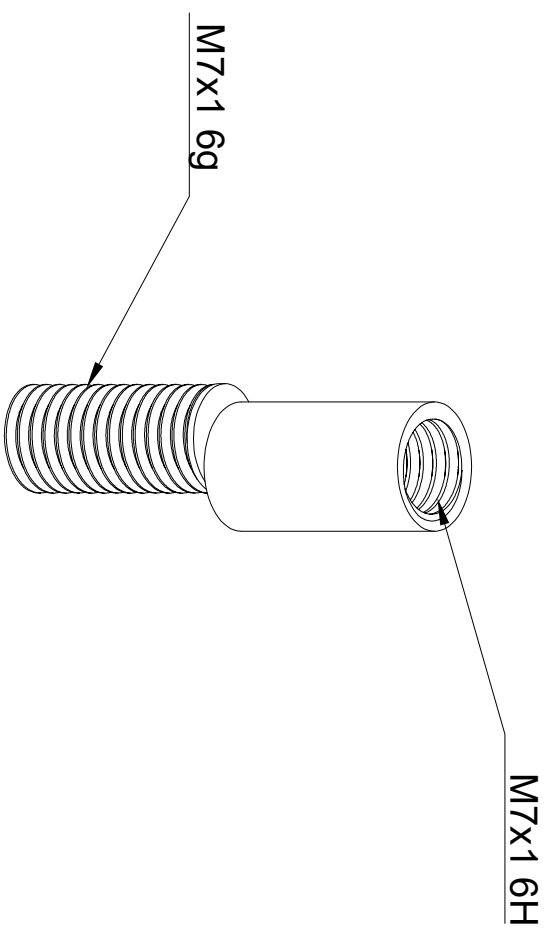
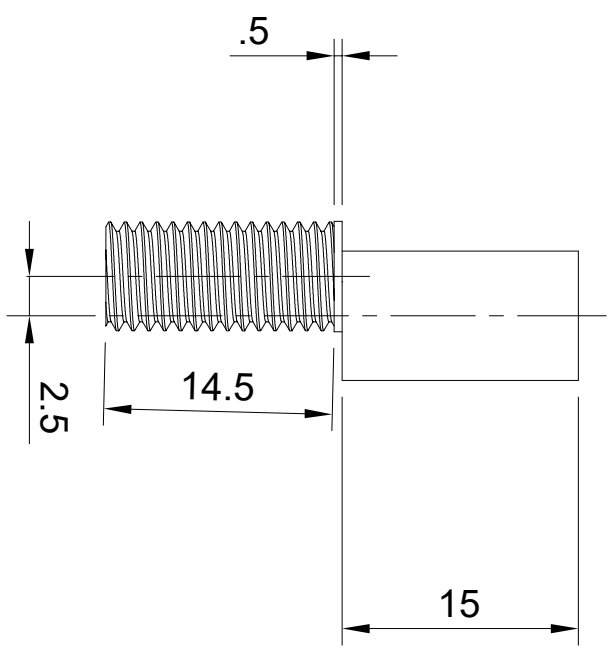


En alu dur ou acier 4  
pièces à faire



Dept.	Technical reference	Created by	Approved by
		L.L Services	
		05/12/2023	
	Document type	Document status	
	Title	DWG No.	
	Vis désaxées		
Rev.	Date of issue	Sheet	
		1/1	