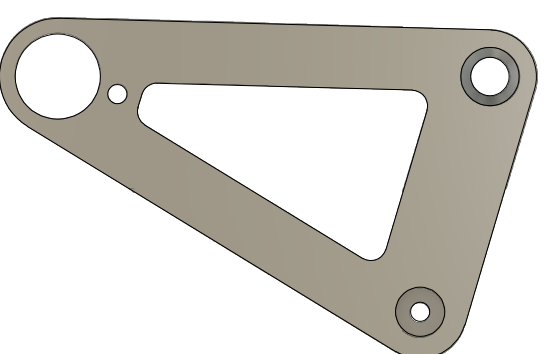
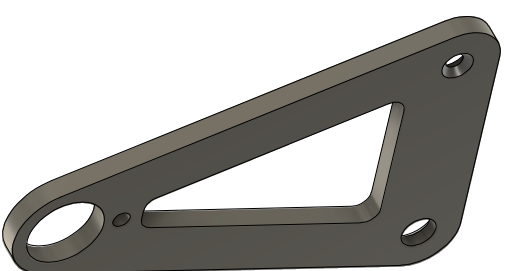
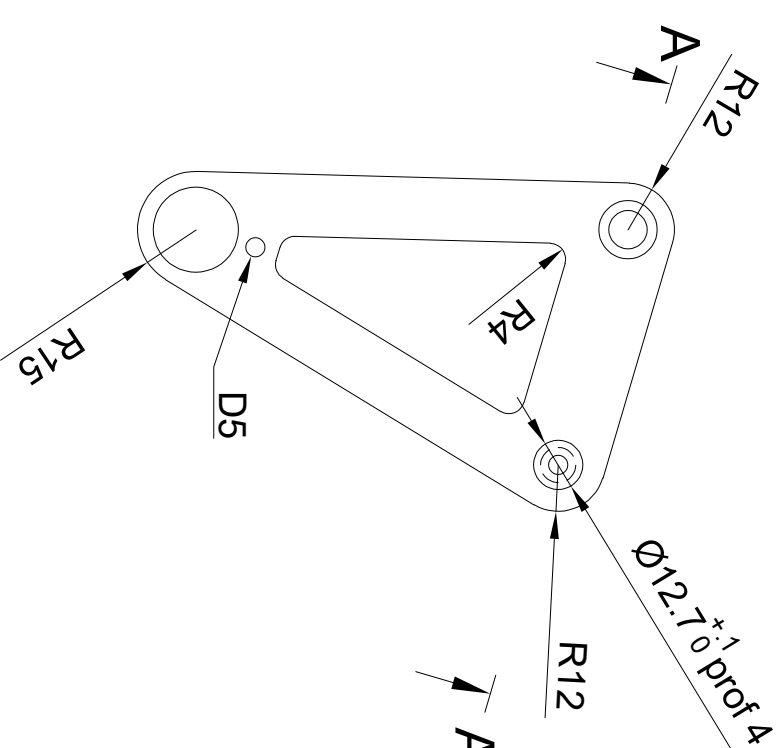
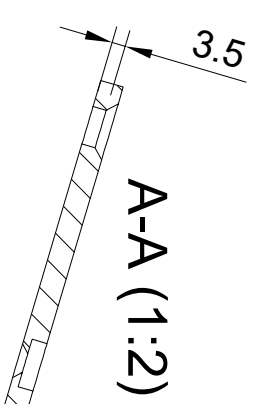
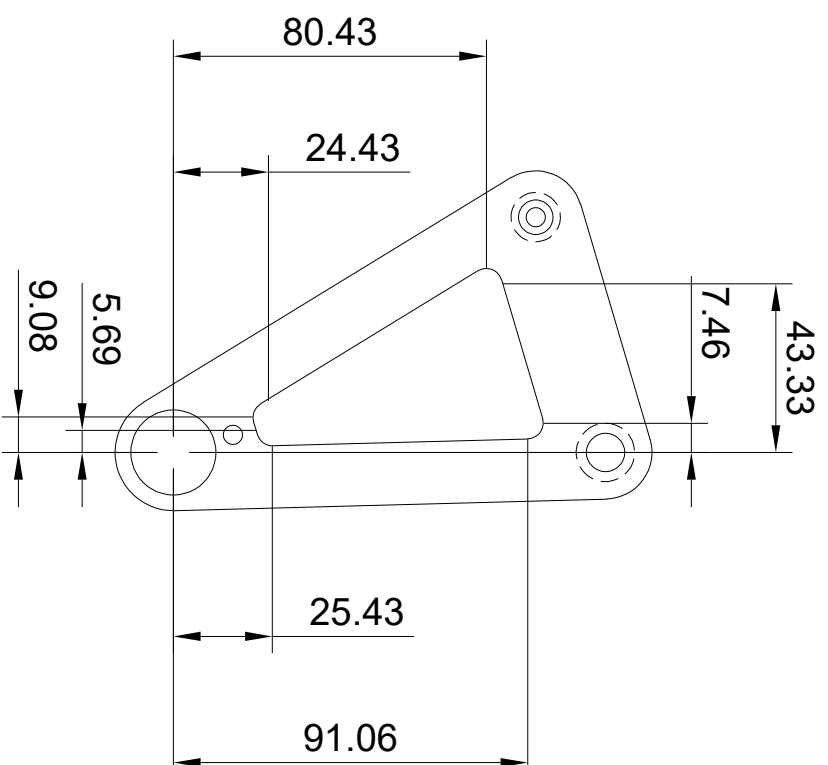
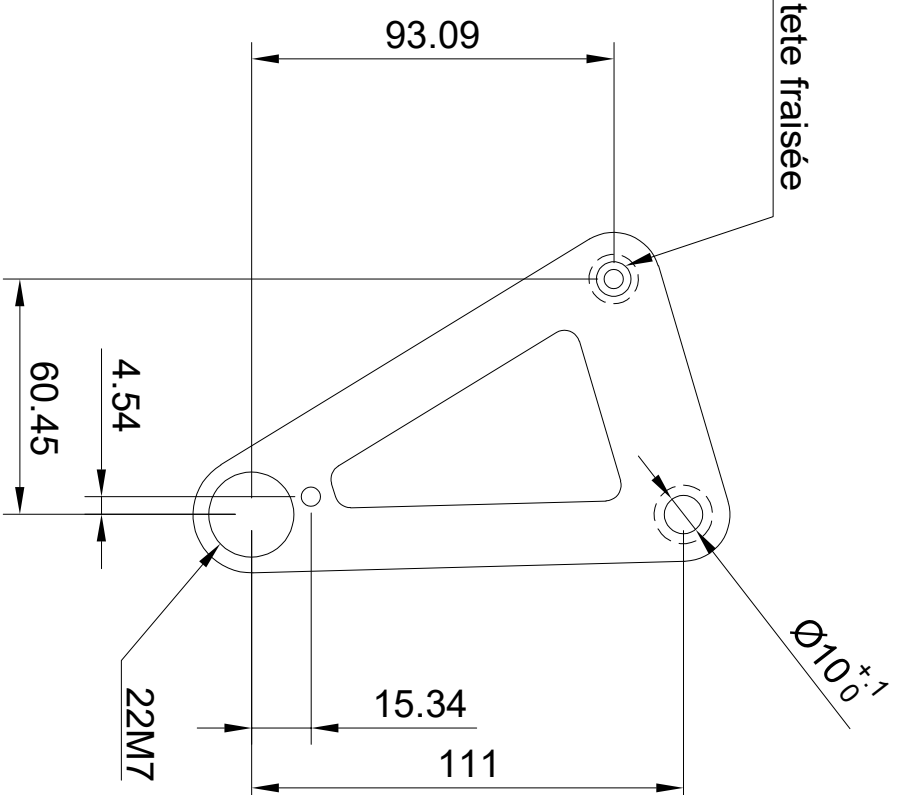


trou fraisuré pour vis M5 tête fraisée



Dept.	Technical reference	Created by	Approved by
		Document type	Document status
		Document title	DWG No.
		Document description	Rev.
		Document date	Date of issue
			Sheet
			1/1

tole aluminium  
AU4G, 6060 ou  
6061 6mm

Document title  
**bielle 3 axes  
droite**

Created by  
**pierre lefort** 20/03/2023

Approved by

Rev.

Date of issue

Sheet

1/1