

A

B

C

D

4

4

3

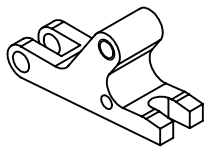
3

2

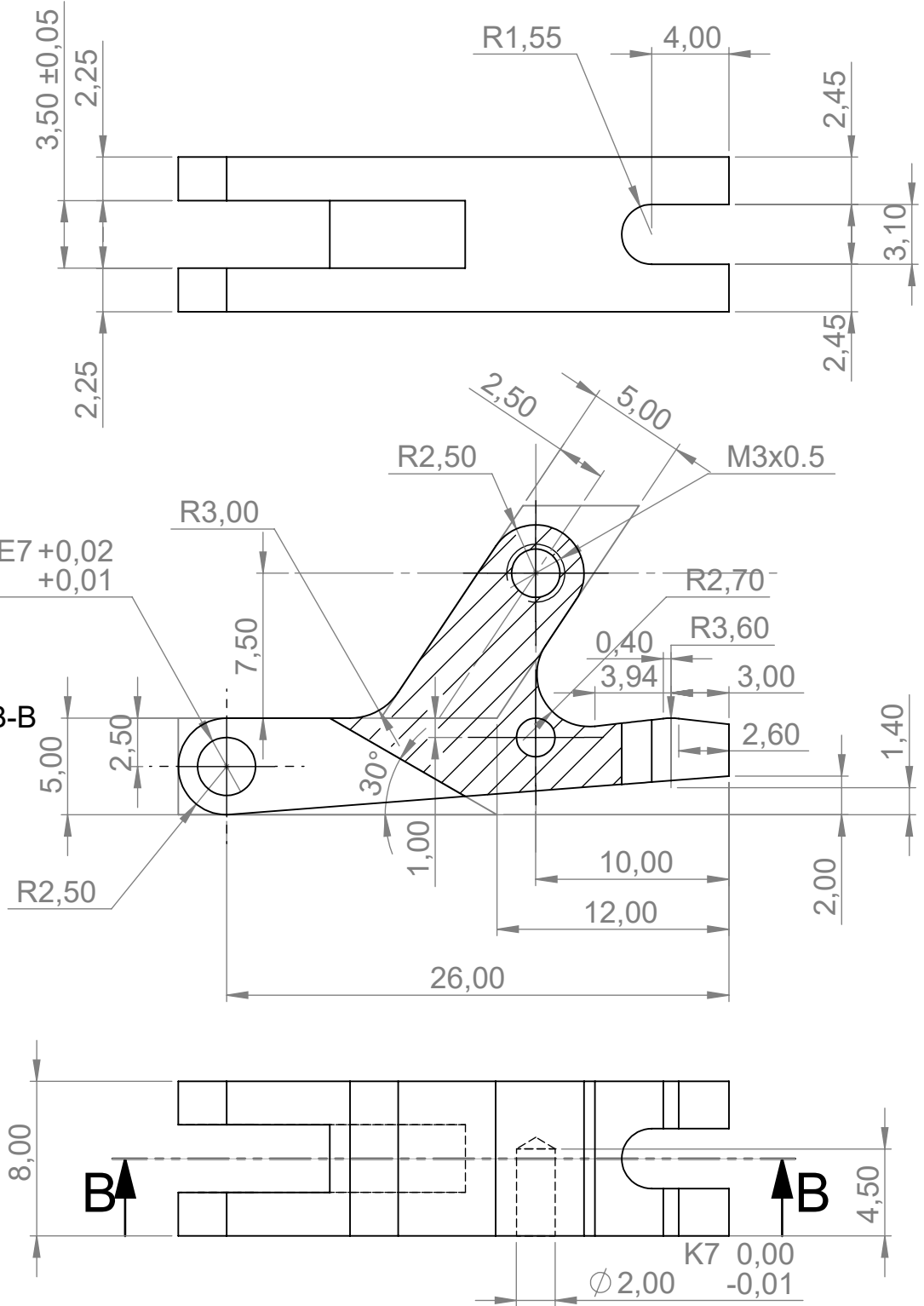
2

1

1



COUPE B-B



DEVELOPEMENT :

Alain Wetterwald

Pivot

MATERIAL :

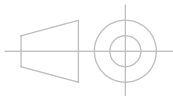
Al-7075  
Black anodizing

DATE :

01/09/23

SIZE :

A4

Tolérance générale : JS13/js13  
Angle :  $\pm 0,5^\circ$ 

OWNER ALL RIGHTS :

ZITHER ETOILE DU MATIN  
ALAIN WETTERWALD

SCALE :

3:1

DRAWING NUMBER :

Pi rev.0

SHEET :

1/1

This drawing is our property; it can't be reproduced or communicated without our written agreement.

A

B

C

D