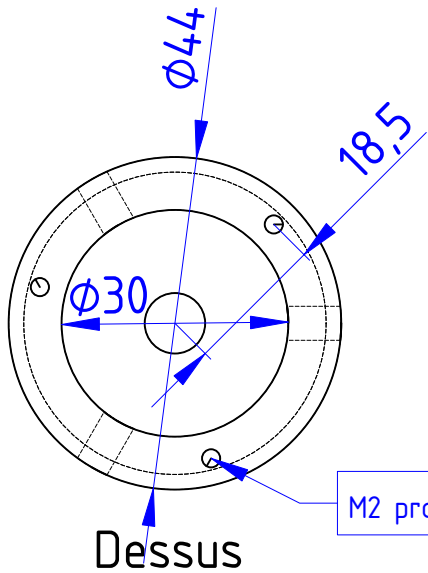
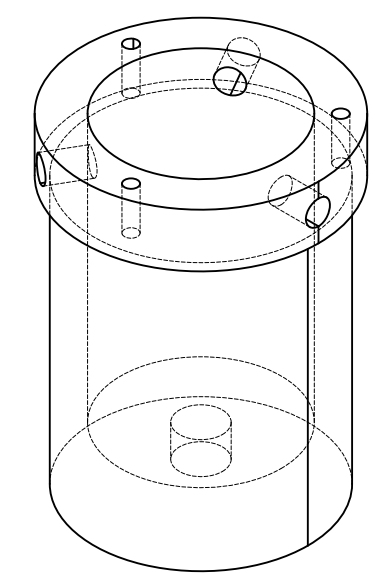
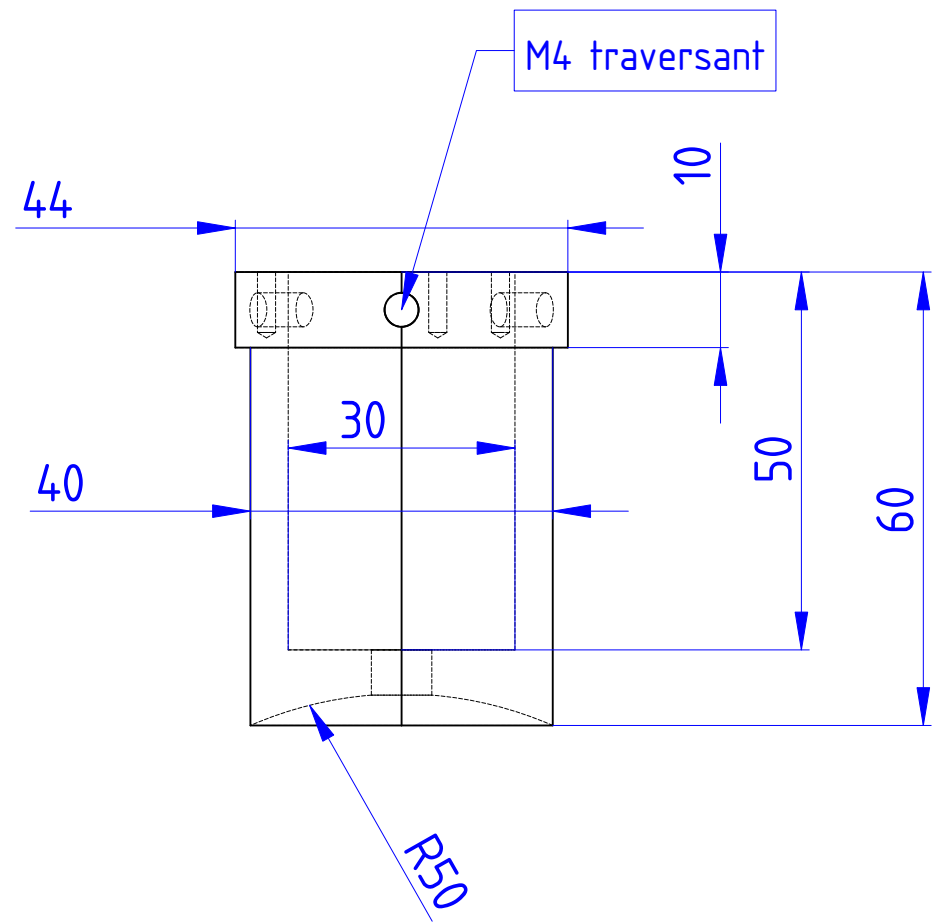
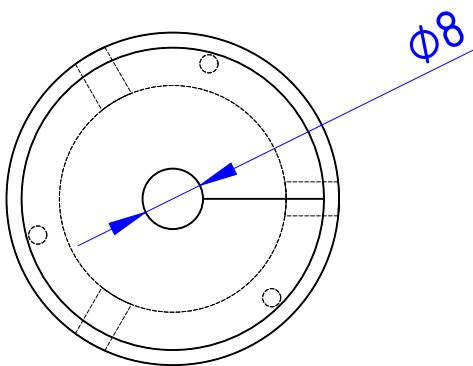


F E D C B A


4
3
2
1



M2 prof. 8mm



4
3
2
1

DESIGNED BY: Designed by Name		Title		G	—
DATE: Date		Subtitle		F	—
SIZE A4				E	—
				D	—
SCALE Scale	WEIGHT (kg) Weight	DRAWING NUMBER Drawing number		C	—
		SHEET Sheet		B	—
This drawing is our property; it can't be reproduced or communicated without our written consent.				A	—

F E D C B A