

F

E

D

C

B

A

4

3

2

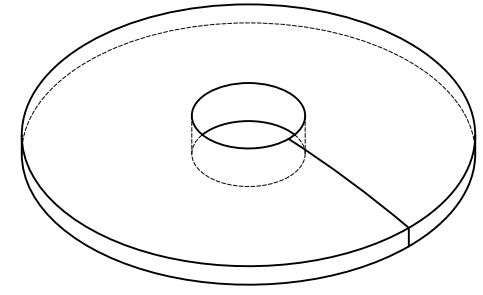
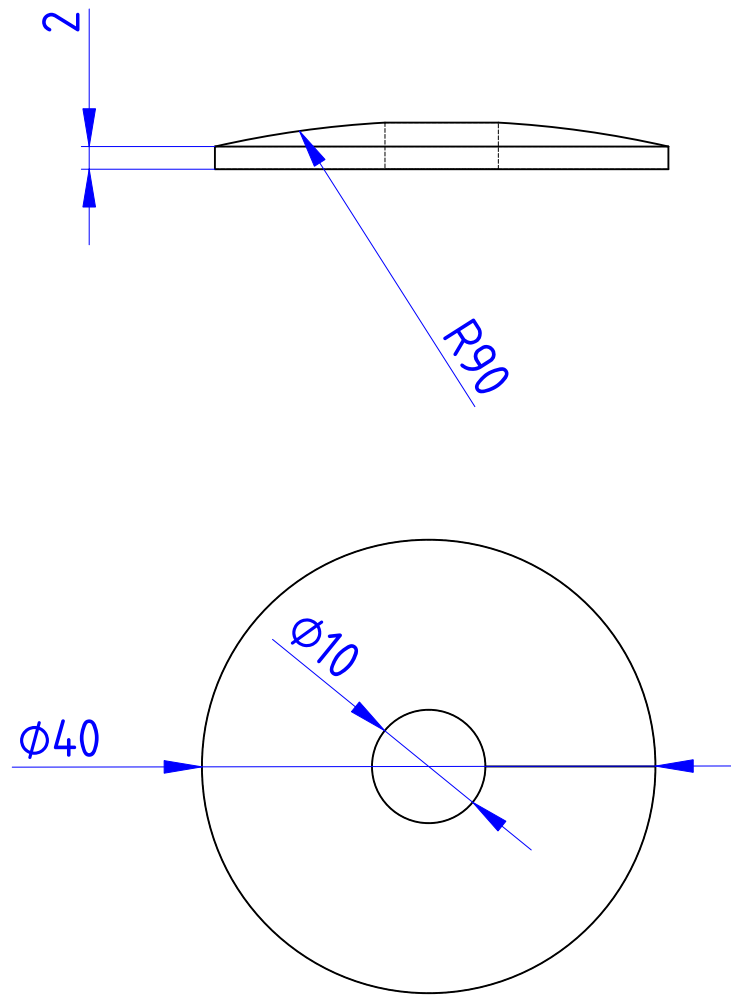
1


4

3

2

1



DESIGNED BY: Designed by Name		Rondelle sphérique		G	—
DATE: Date		Matière : laiton		F	—
SIZE A4				E	—
SCALE	WEIGHT (kg)			D	—
Scale	Weight	DRAWING NUMBER	SHEET	C	—
		Drawing number	Sheet	B	—
This drawing is our property; it can't be reproduced or communicated without our written consent.				A	—

F

E

D