

F

E

D

C

B

A

4

3

2

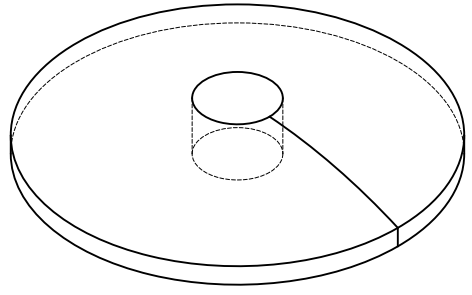
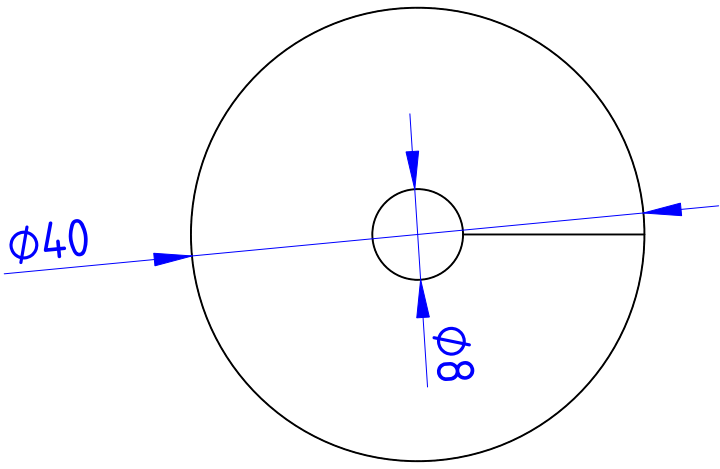
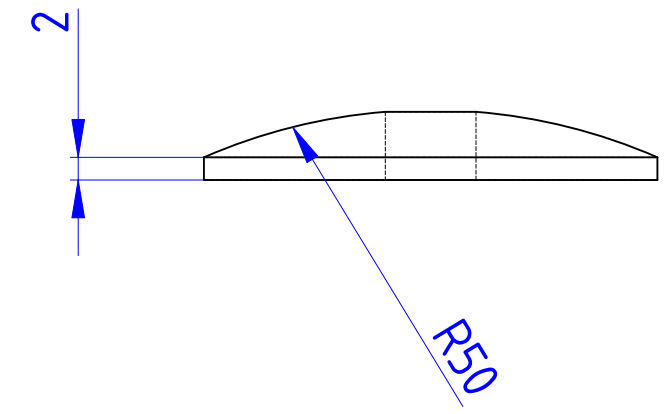
1


4

3

2

1



DESIGNED BY: <b>Designed by Name</b>		<b>Title</b>		G	—
DATE: <b>Date</b>		<b>Subtitle</b>		F	—
SIZE <b>A4</b>				E	—
				D	—
SCALE <b>Scale</b>	WEIGHT (kg) <b>Weight</b>	DRAWING NUMBER <b>Drawing number</b>		C	—
		SHEET <b>Sheet</b>		B	—
<b>This drawing is our property; it can't be reproduced or communicated without our written consent.</b>				A	—

F

E

D