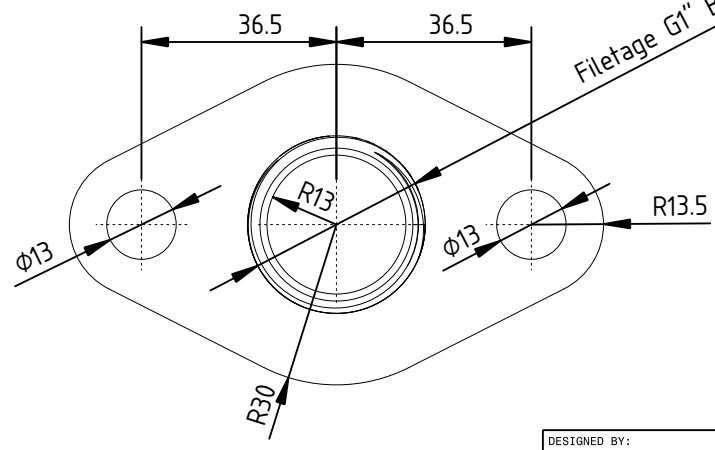
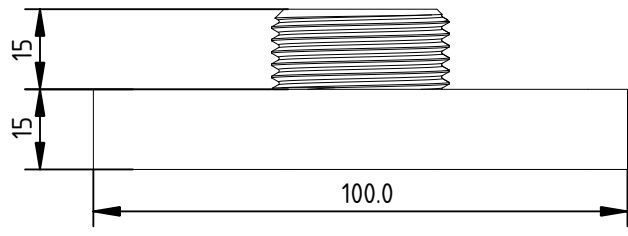
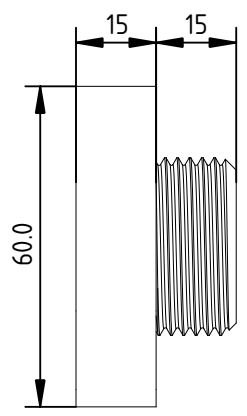



F E D C B A

4  
3  
2  
1



Filetage G1" BSPP ( $\phi 33,249$  Pas=2.309)



DESIGNED BY: <b>C Beausoleil</b>		<b>Bride Pompe à Bras</b>		G	-
DATE: <b>26/10/2023</b>				F	-
SIZE: <b>A4</b>				E	-
				D	-
SCALE: <b>1:1</b>		WEIGHT (kg)		C	-
		DRAWING NUMBER		B	-
		SHEET		A	-
					
This drawing is our property; it can't be reproduced or communicated without our written consent.					

F E D