

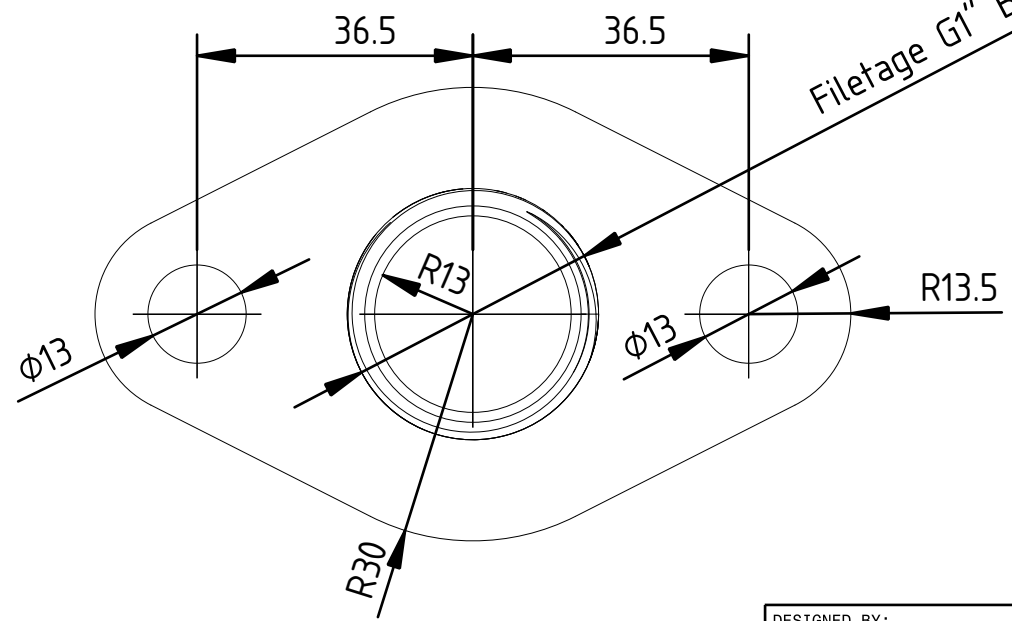
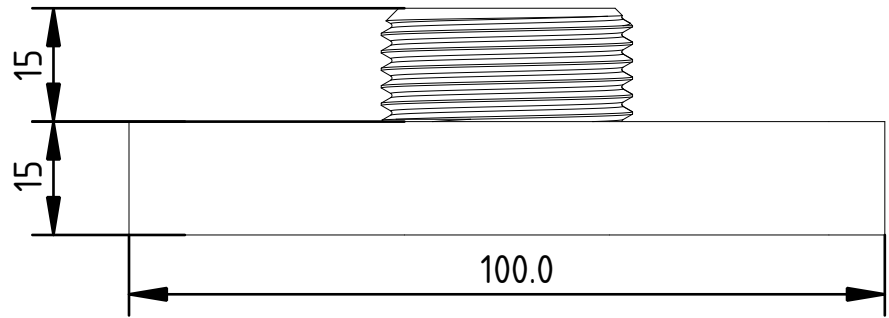
F E D C B A

4

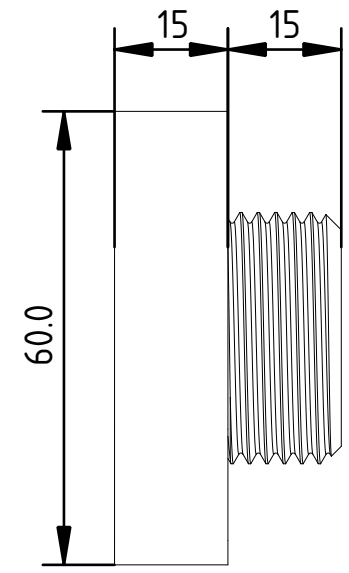
3

2

1



Filetage G1" BSPP ($\phi 33,249$ Pas=2.309)



4

3

2

1

F E D

DESIGNED BY: C Beausoleil		Bride Pompe à Bras		G	—
DATE: 26/10/2023				F	—
SIZE: A4				E	—
				D	—
SCALE: 1:1	WEIGHT (kg)	DRAWING NUMBER	SHEET	C	—
				B	—
This drawing is our property; it can't be reproduced or communicated without our written consent.				A	—