

F

E

D

C

B

A

4

4

3

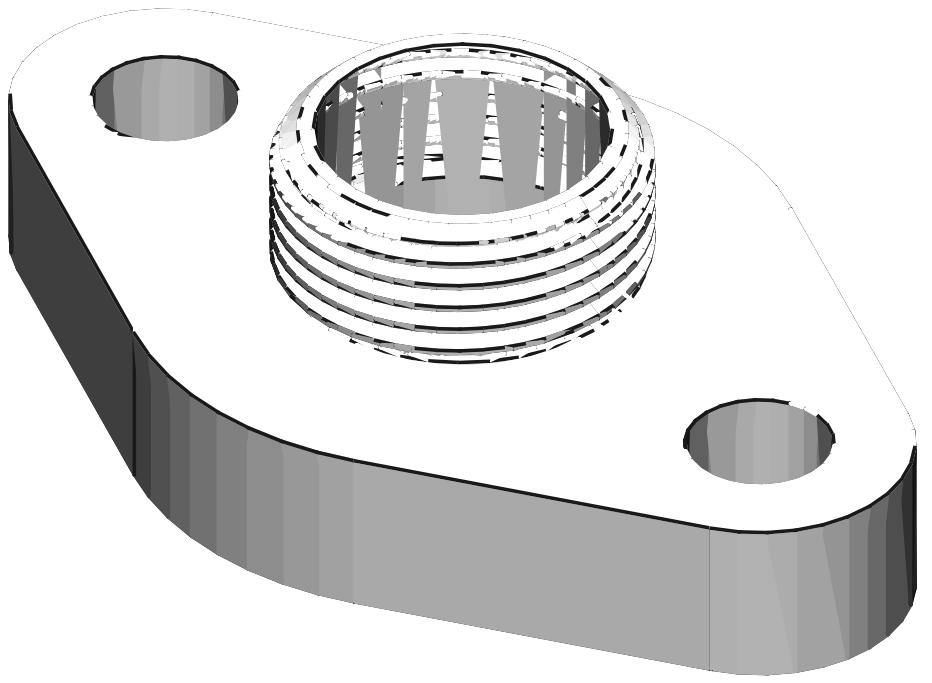
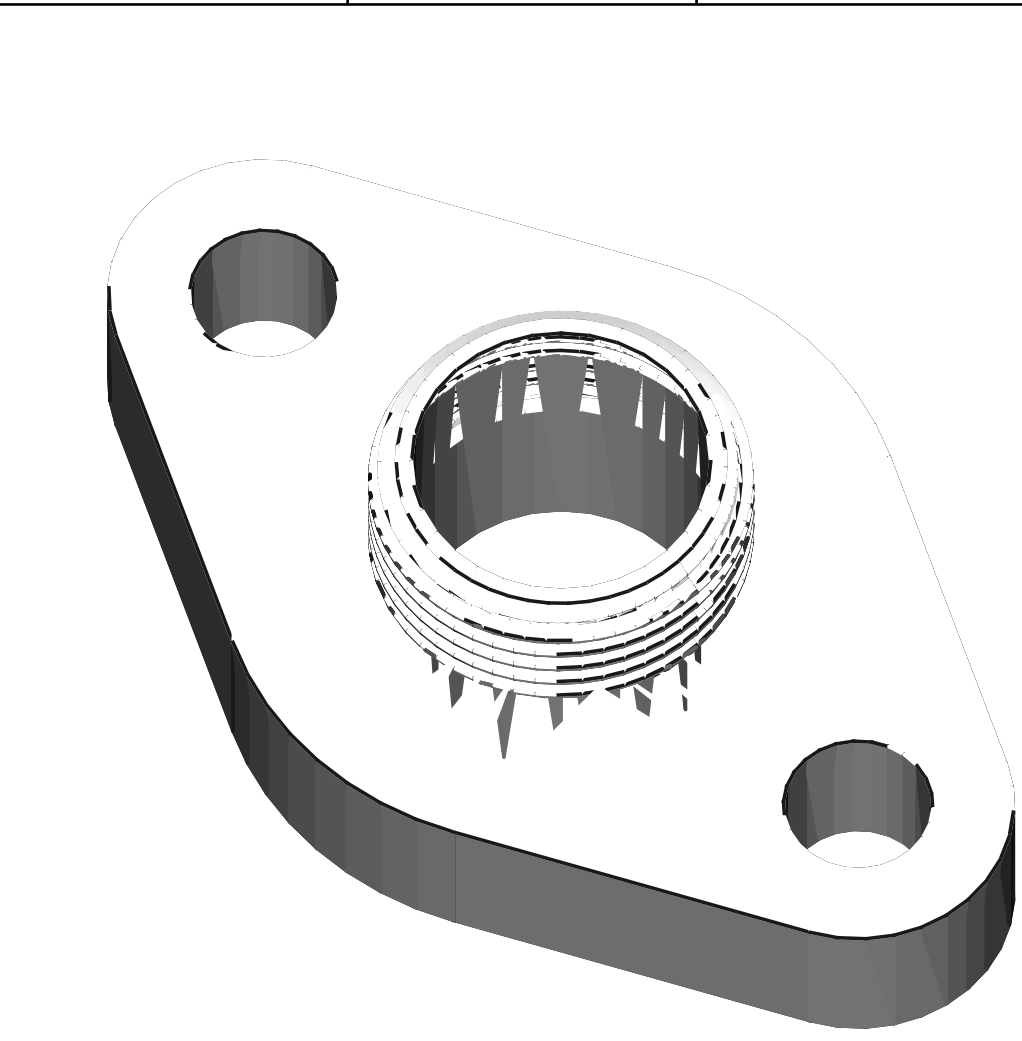
3


2

2

1

1



DESIGNED BY: C. Beausoleil		Bride Pompe à Bras		G	—
DATE: 26/10/2023		Vues 3D		F	—
SIZE	A4			E	—
SCALE				WEIGHT (kg)	DRAWING NUMBER
				C	—
				B	—
This drawing is our property; it can't be reproduced or communicated without our written consent.				A	—

F

E

D