

1

2

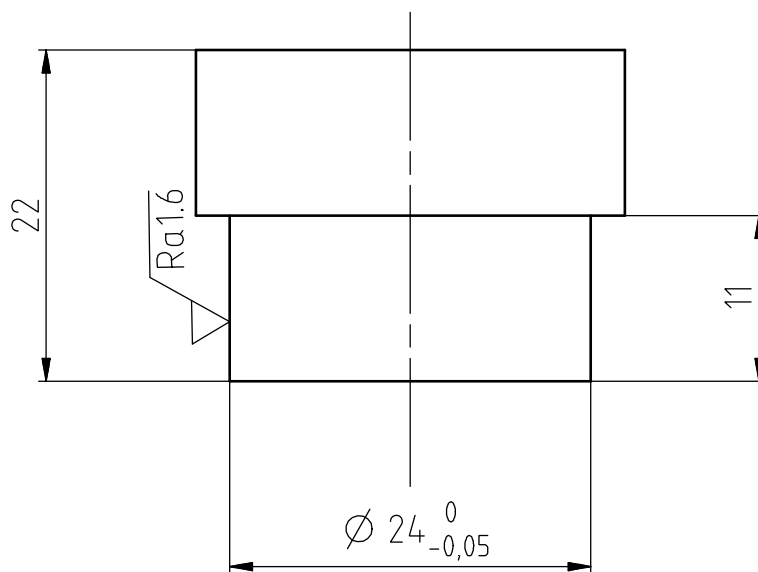
3

4

Dimensional variation acc. to DIN 7168	nominal size	over to	3	6	30	120	400	1000	2000	4000	8000	12000
			3	6	30	120	400	1000	2000	4000	8000	12000
Average (mech. treatment) allow. diverg.			±0.1	±0.1	±0.2	±0.3	±0.5	±0.8	±1.2	±2	±3	±4
Croase (sheet work weldm.) allow. diverg.			-	±0.2	±0.5	±0.8	±1.2	±2	±3	±4	±5	±6
Roughness grade	N12	N11	N10	N9	N8	N7	N6	N5	N4	N3	N2	N1
Max. roughness Ra value μm	50	25	12.5	6.3	3.2	1.6	0.8	0.4	0.2	0.1	0.05	0.025

A

A

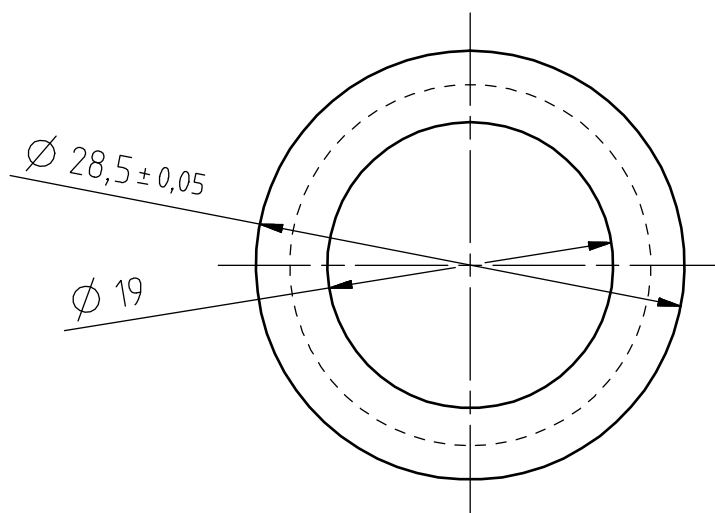


View A

21

B

B



Ra général : 3.2

C

C

AA	-	Original issue		JSr	-	JSr	11/10/23
Rev	Rev N°	Issue / Description		Author	Checked	Approved	Date
Origin N°		Material	Alu 7075/2014/2017	Document N°		Language	EN
	Prolongateur 137200-AA01-dwg1 MAGURA			Work Order		kg/mm	Page 1
				Drawing N°. 137200		Scale 2	of 1 Size A4

D

D

1

2

3

4