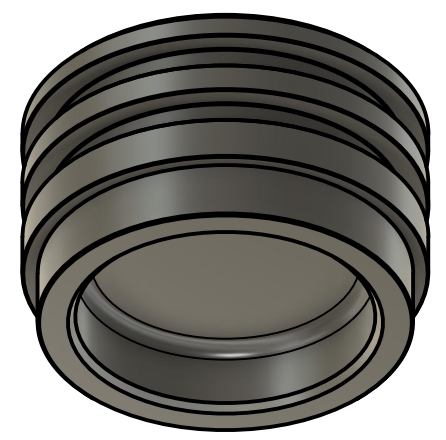


A-A (2:1)



Dept. ARSEF	Technical reference Inox 316l	Created by Cauvigny G.	Approved by	
		Document type Dessin d'usinage	Document status A3 Echelle 1:1	
		Title Enigma 2 Tuyère V1.2		DWG No. n°7
Rev. A	Date of issue 11/07/23	Sheet 1/1		