

F

E

D

C

B

A

4

3

2

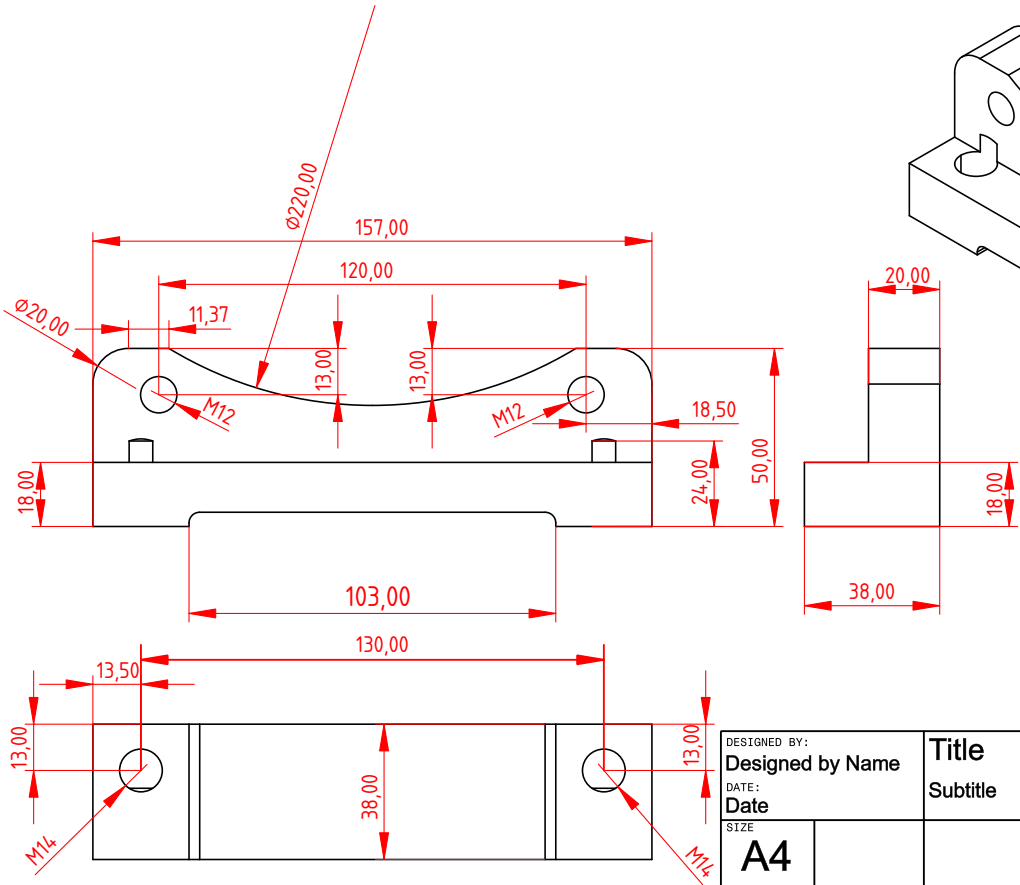
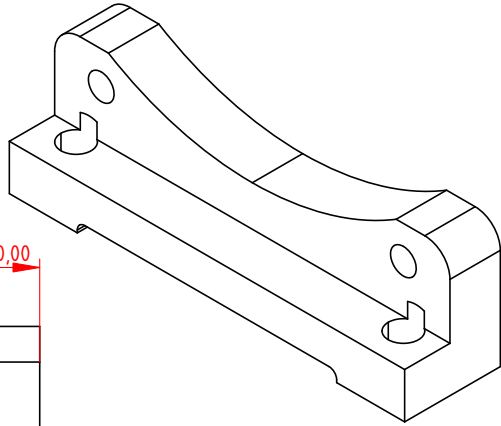
1

4

3

2

1



DESIGNED BY:		Title	
Designed by Name		Subtitle	
DATE:			
Date			
SIZE			
A4			
SCALE	WEIGHT (kg)	DRAWING NUMBER	SHEET
Scale	Weight	Drawing number	Sheet
This drawing is our property; it can't be reproduced or communicated without our written consent.			

G	-
F	-
E	-
D	-
C	-
B	-
A	-

F

E

D