

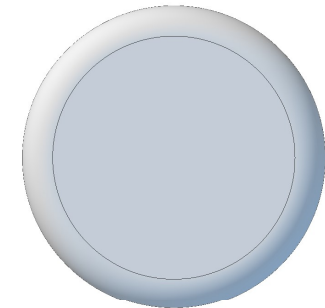
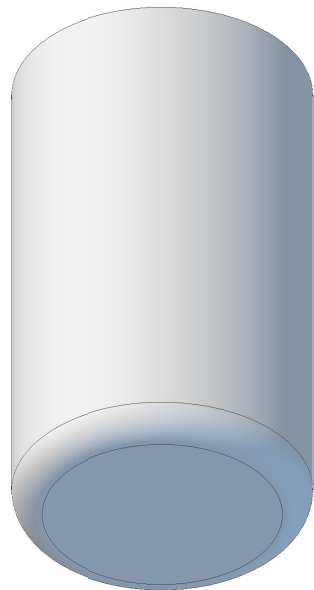
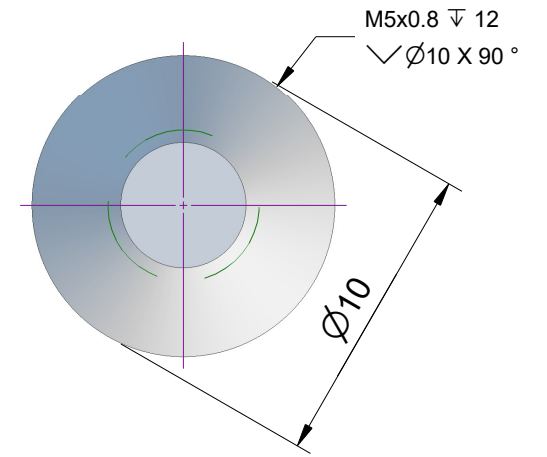
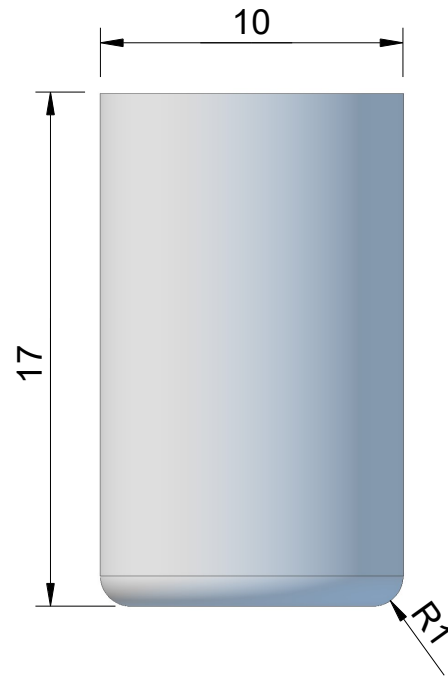
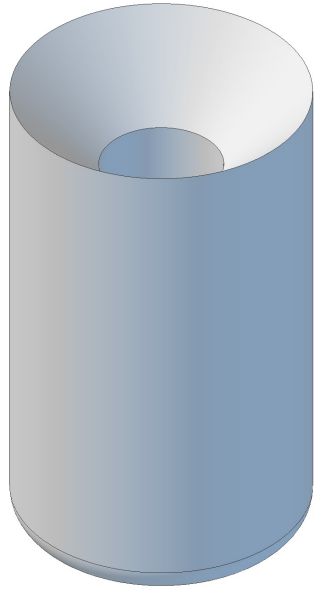
RevNo

Revision note

Date

Signature

Checked



Scale  
1:1

Edition

Sheet  
1 / 1