

F

E

D

C

B

A

4

4

3

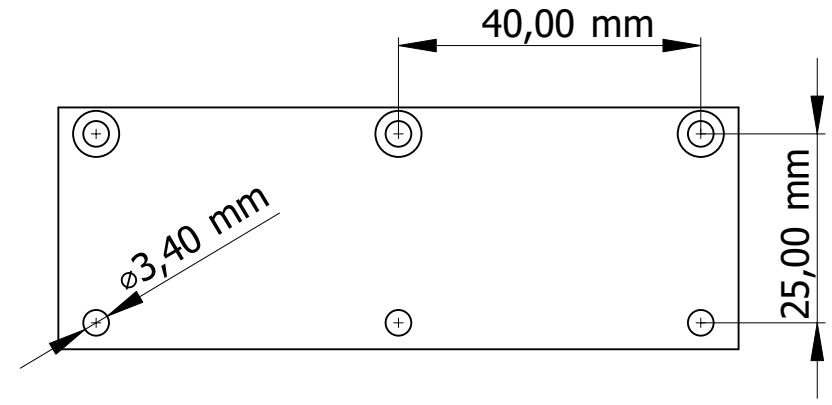
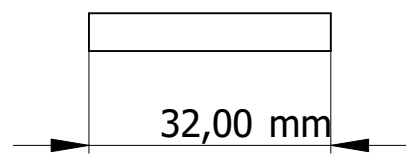
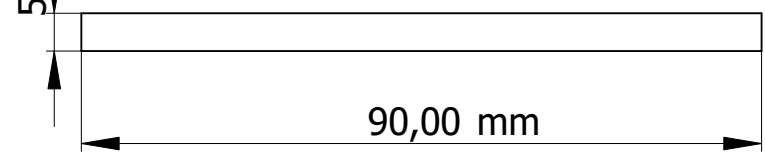
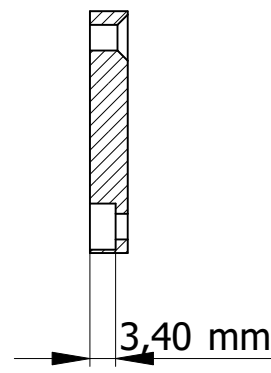
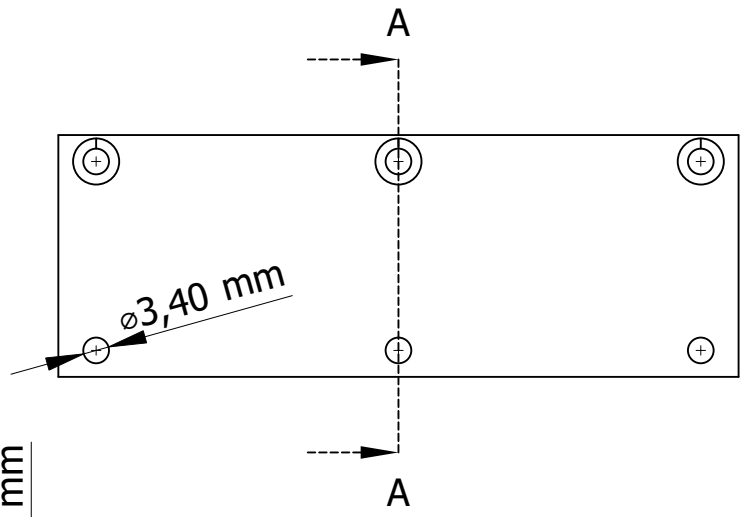
3


2

2

1

1



DESIGNED BY: François Perrin		Support Edirol UA25		G	—
DATE: 30/08/2023		Plaqué latérale		F	—
SIZE A4				E	—
SCALE 1:1				WEIGHT (kg) 0.04	D
DRAWING NUMBER Drawing number		SHEET 3/4		C	—
This drawing is our property; it can't be reproduced or communicated without our written consent.				B	—
				A	—

F

E

D