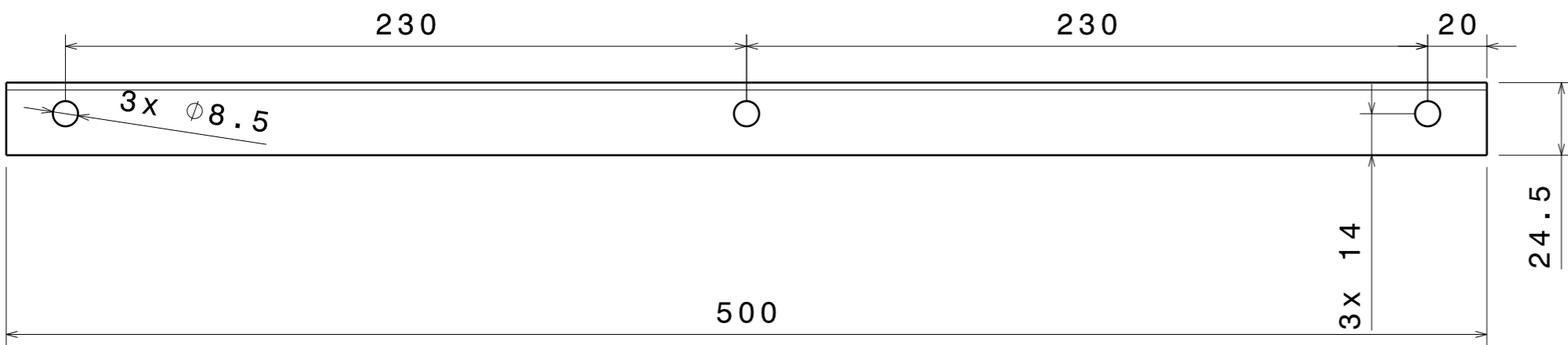
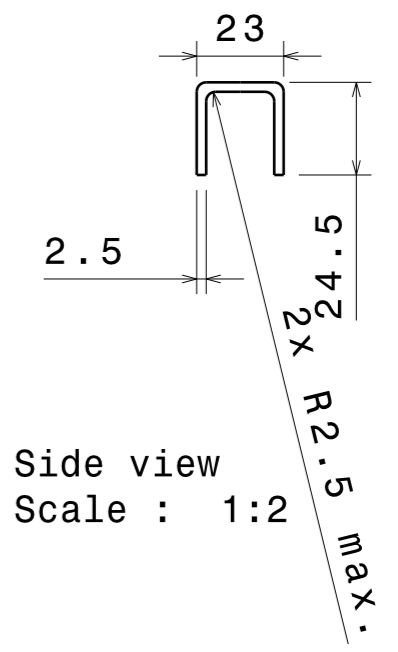


H G F E D C B A



Front view  
Scale : 1:2



Side view  
Scale : 1:2

Material thickness : 2.5mm  
Bent part or standard part, no welding

|                   |      |                      |                                       |                       |
|-------------------|------|----------------------|---------------------------------------|-----------------------|
| Size<br><b>A3</b> |      |                      |                                       |                       |
| Dessiné par       | Date | Designation          |                                       |                       |
| Coordonnées       |      | <b>Profile 25</b>    |                                       |                       |
| Plan vérifié par  |      | Quantity<br><b>1</b> | Material<br><b>S500 or equivalent</b> | Version<br><b>0.9</b> |
|                   |      | Scale 1:1            |                                       | Sheet 1/1             |

H G B A