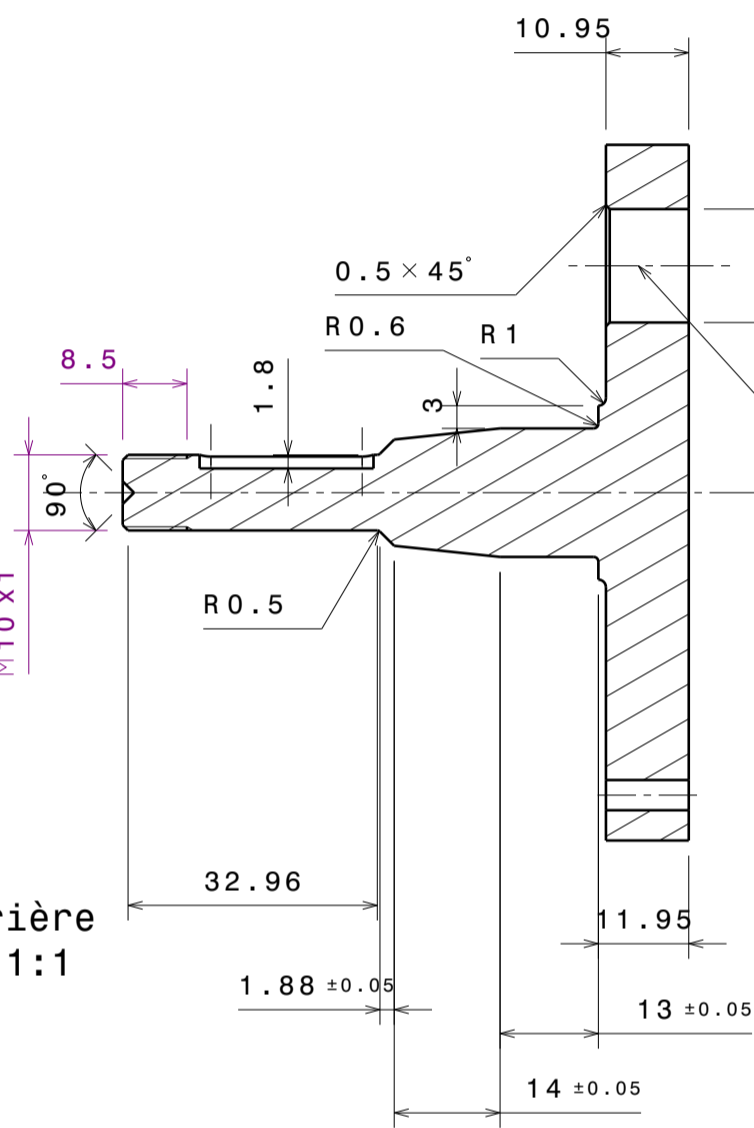
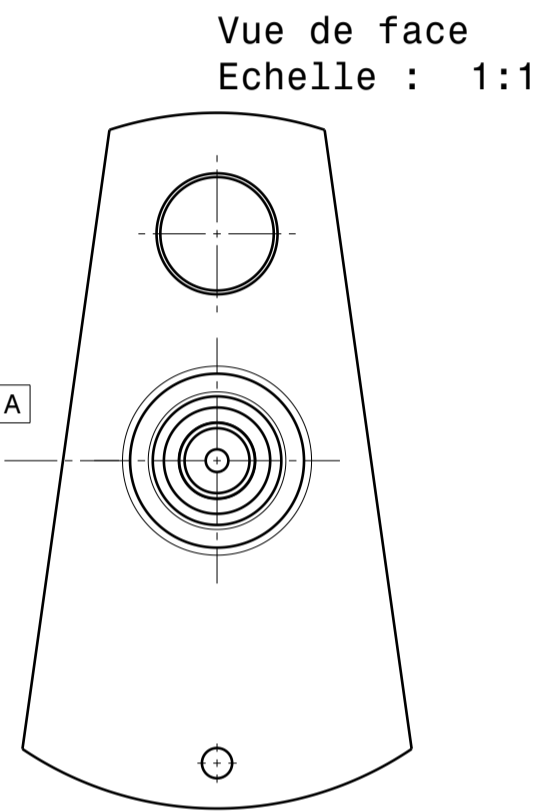


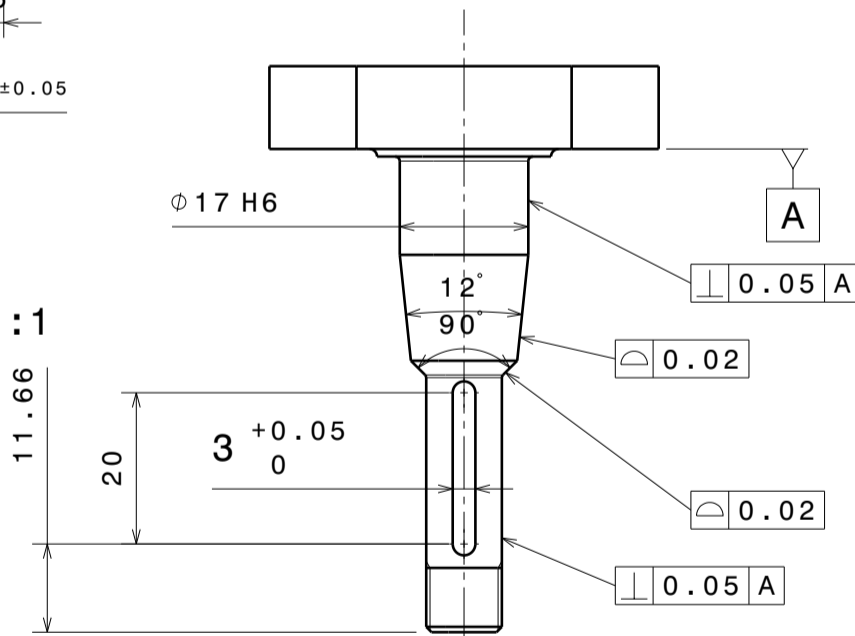
Vue de derrière  
Echelle : 1:1



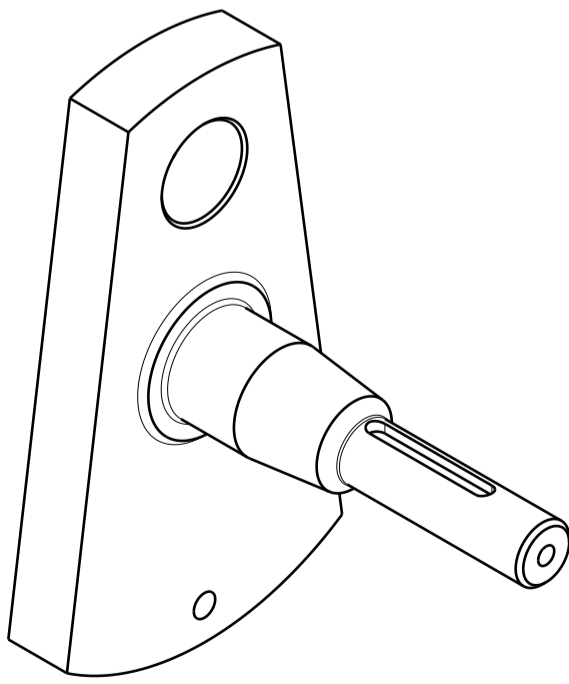
Coupe A-A  
Echelle : 1:1



Vue de face  
Echelle : 1:1



Vue de dessus  
Echelle : 1:1



Vue isométrique  
Echelle : 1:1

DESIGNED BY: <b>PV3e</b>		<b>PV3e</b>		I	-
DATE: <b>28/11/2013</b>				H	-
Tolérance général <b>+/- 0.1</b>		<b>Acier 42CD4</b>		G	-
Etat de surface général <b>Ra 3.2</b>				F	-
SIZE <b>A3</b>		<b>vilo2</b>		E	-
SCALE <b>1:1</b>	WEIGHT (kg) <b>0,00</b>			DRAWING NUMBER	SHEET <b>1/1</b>
This drawing is our property; it can't be reproduced or communicated without our written agreement.				C	-
				A	-