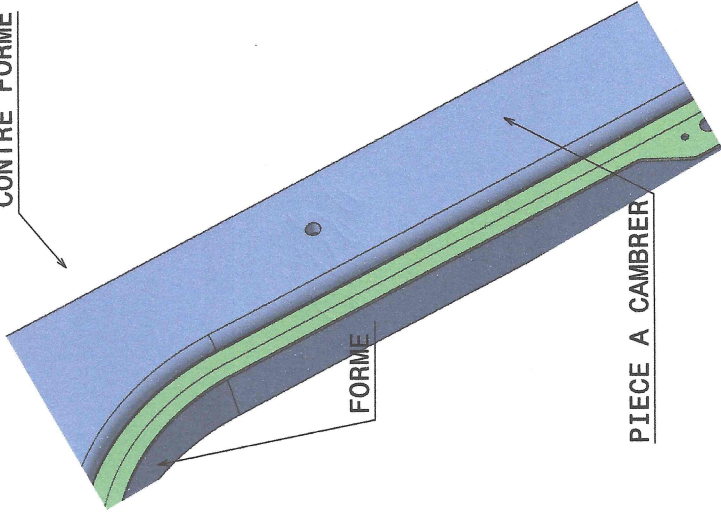
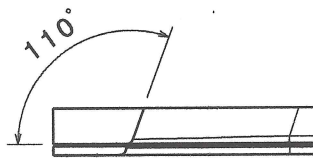
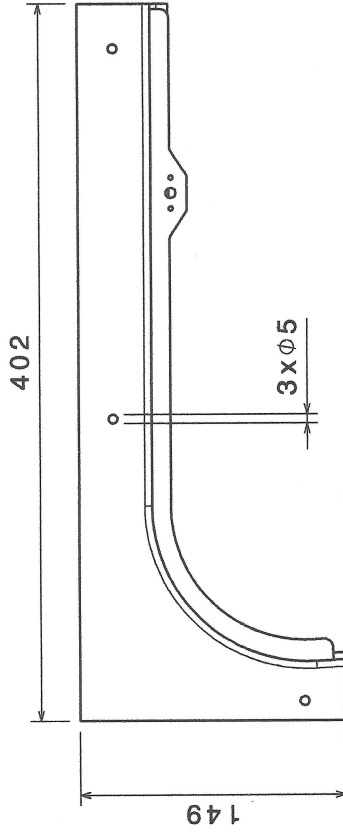
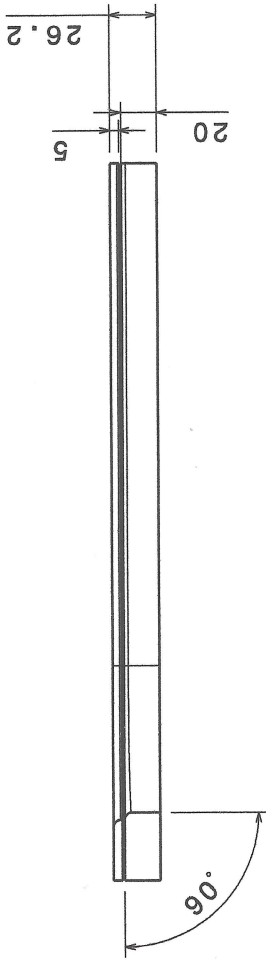


CONTRE FORME



Vue isométrique
Echelle : 1:3

ok



DESIGNED BY: W	I
DATE: 21/06/2023	H
CHECKED BY: XXX	G
DATE: XXX	F
SIZE: A3	E
SCALE: 1:3	
TOLERANCE: ST11008	
This drawing is our property; it is not to be reproduced without our written permission.	

OUTILLAGE DE CAMBRAGE