

4

3

2

1

10/07/2023

m

c

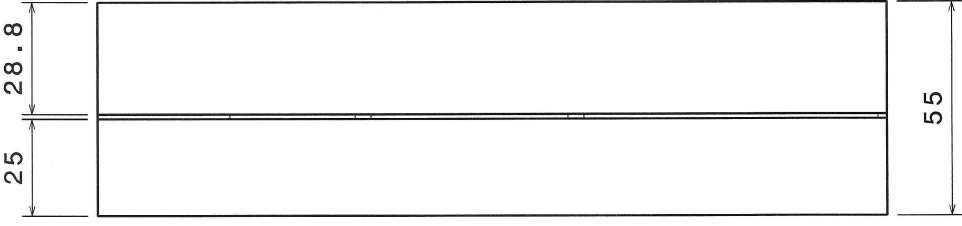
d

f

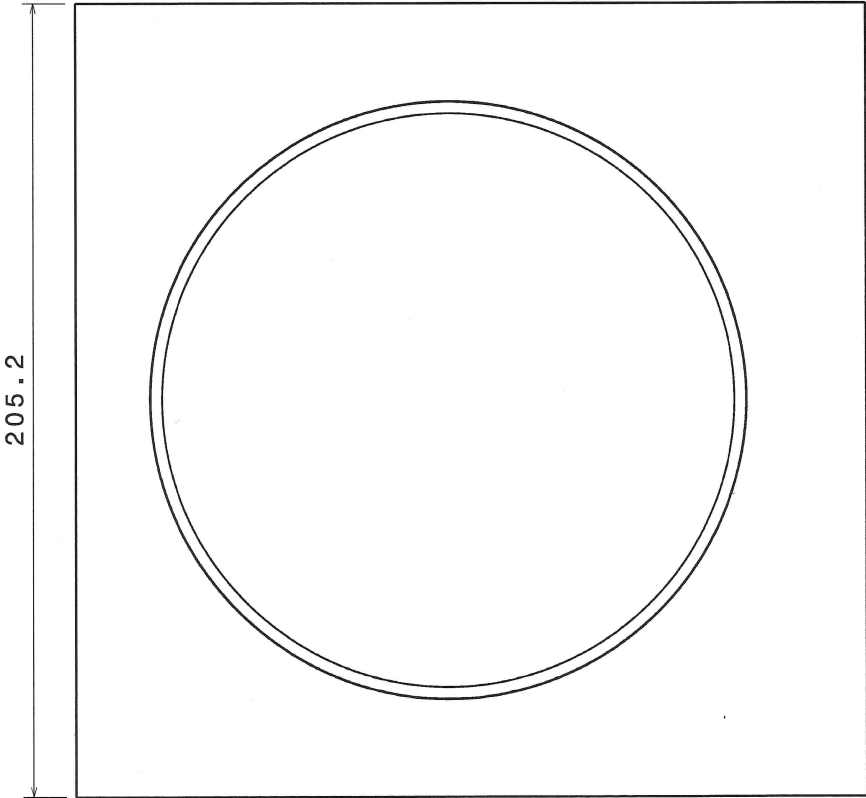
n

g

h

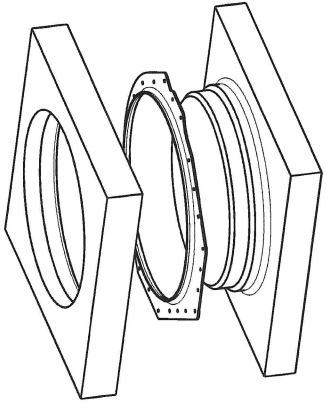


204.7



DESIGNED BY: WV	DATE: 10/07/2023		TOLERANCE ±0.05
CHECKED BY: XXX	DATE: XXX		
SIZE A3	SCALE 3:4		

THIS DRAWING IS OUR PROPERTY; IT CAN



G

H

4

3

2

1