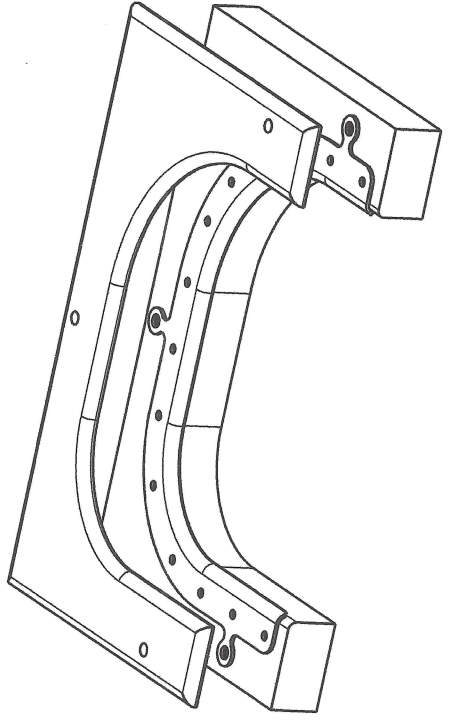
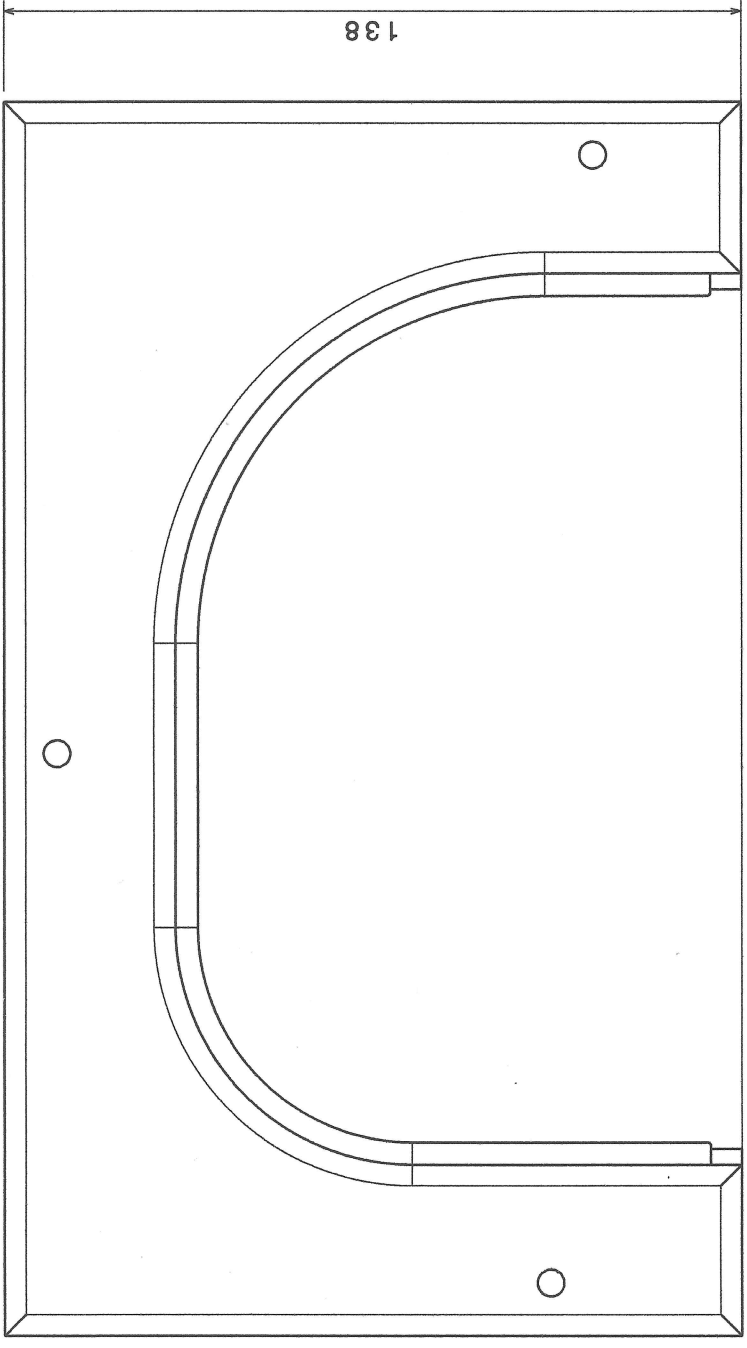
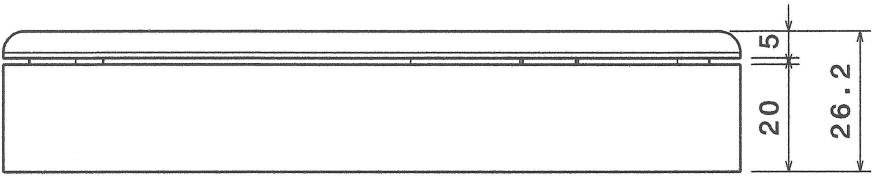


213



I	-
H	-
G	-
F	-

OT

DESIGNED BY:	VV
DATE:	10/07/2023
CHECKED BY:	XXX
DATE:	XXX
SIZE	A3
SCALE	1:1
TOLERANCE	±0.05

This drawing is our property; it is