

1 2 3 4 5 6 7 8

A

A

B

B

C

C

D

D

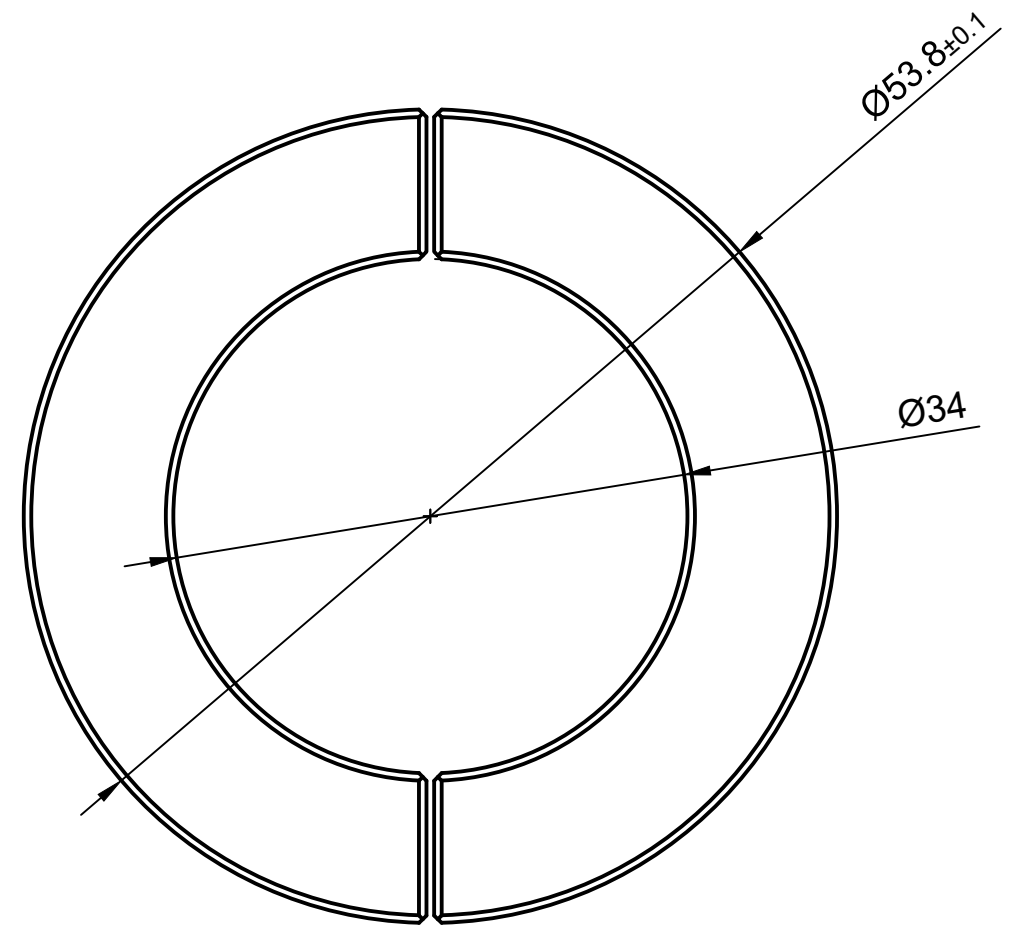
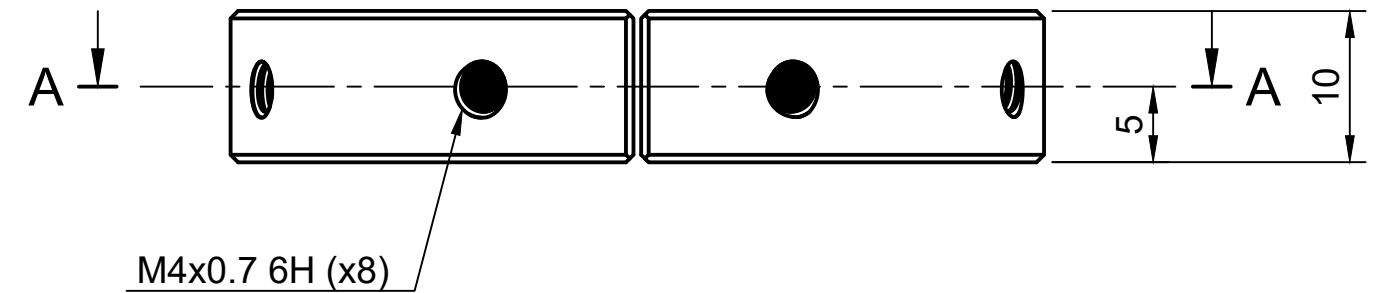
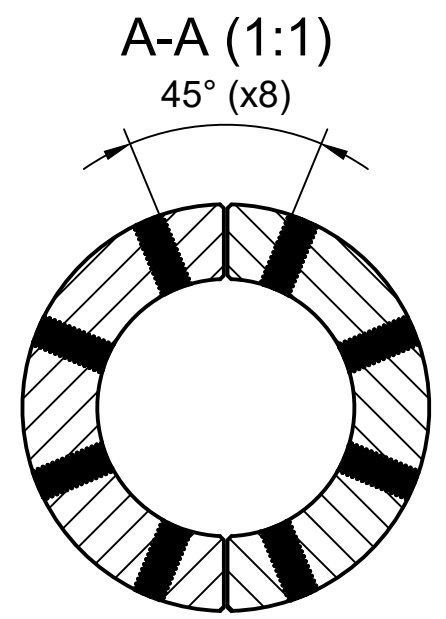
E

E

F

F

1 2 3 4 5 6 7 8



Dept. ARSEF	Technical reference Alu 6060	Created by Cauvigny G.	Approved by	
		Document type Dessin d'usinage	Document status A3 Echelle 2:1	
		Title Enigma 2 Support vis coupé moteur V1.1	DWG No. n°3	
Rev. A	Date of issue 02/07/23		Sheet 1/1	