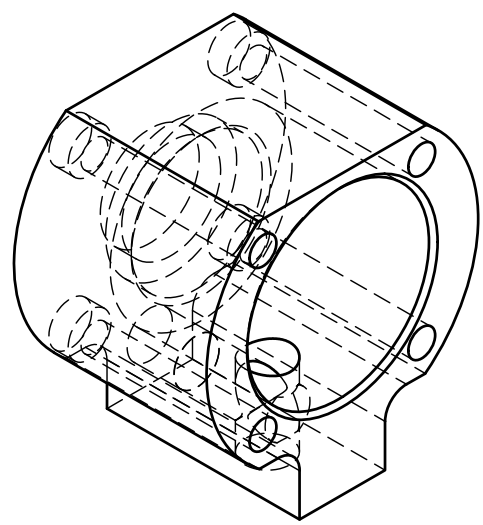


A-A (2:1)



Dept.	Technical reference	Created by Remi CLAUDEL	06/06/23	Approved by
Echelle 2:1		Document type		Document status
Tolérances générales : +/-0.1mm (sauf si spécifié)		Title Valve Body		DWG No.
Taraudages M5x0.8: longueur minimum 5mm		Rev. 01	Date of issue	Sheet 1/1