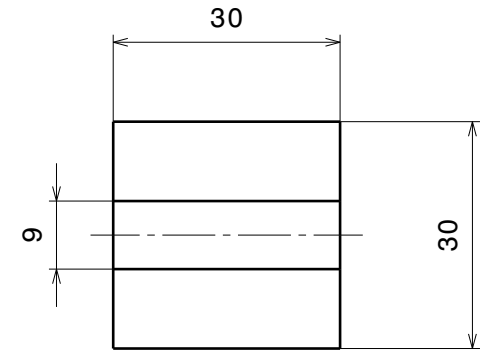
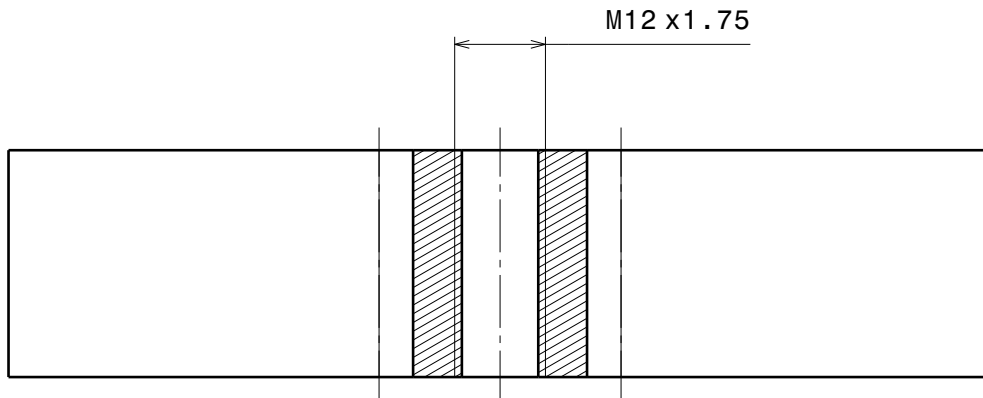


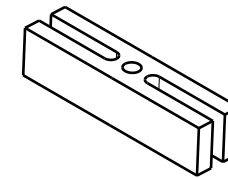
Front view
Scale: 1:1



Left view
Scale: 1:1



Section view A-A
Scale: 1:1



Isometric view
Scale: 1:4

Materiaux : Acier C60
Tolérance : ISO 2768 - mK