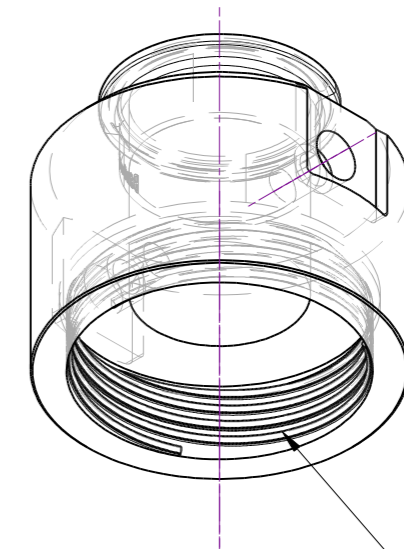
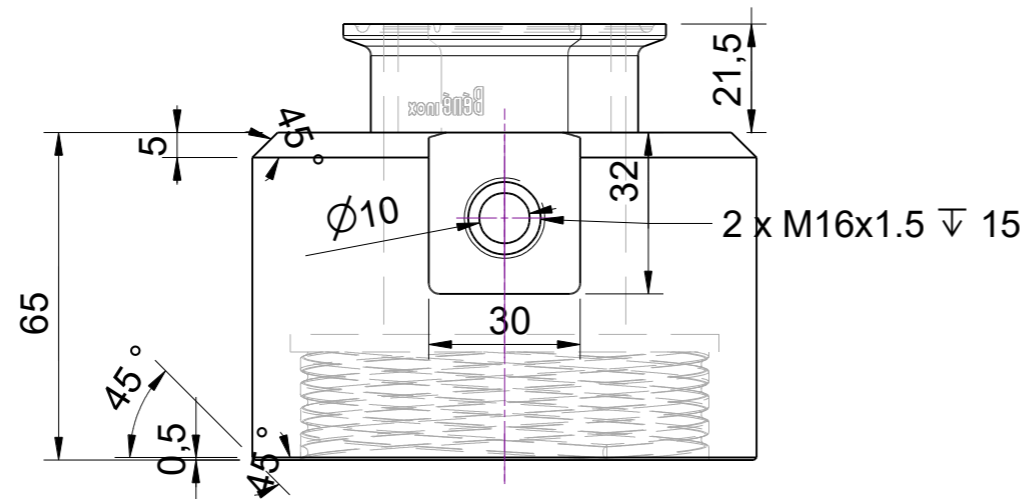
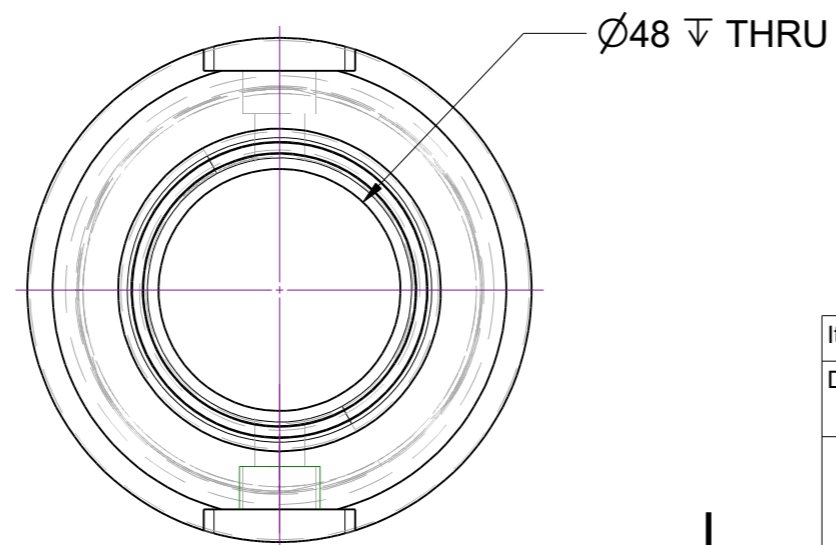


Ferrule CLAMP DIN DN50



Filetage GLS80X15. 3X



Itemref	Quantity	Title/Name, designation, material, dimension etc	Article No./Reference		
Drawn by	Checked by	Approved by - date	File name	Date	Scale 1:1
				Edition	Sheet 1 / 1