

D

C

B

A

4

4

3

3

2

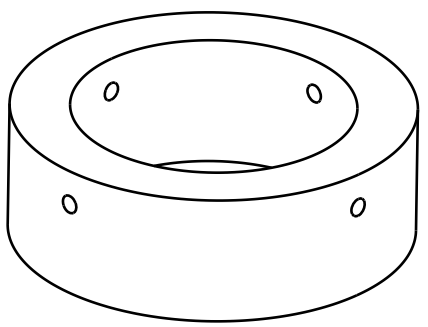
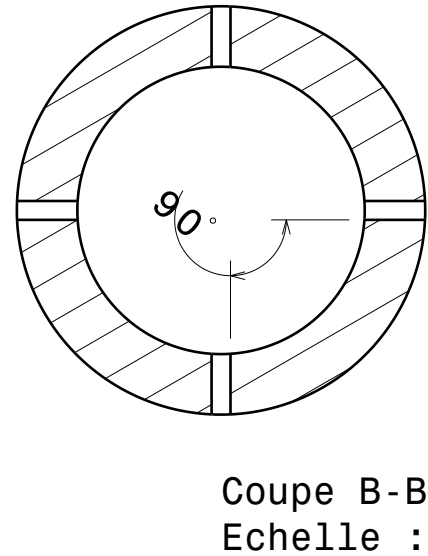
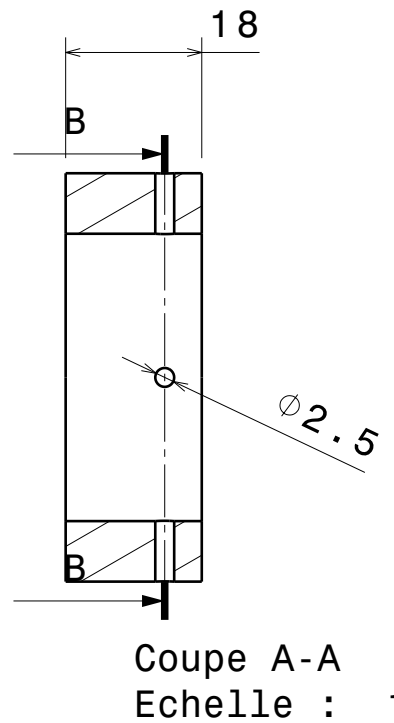
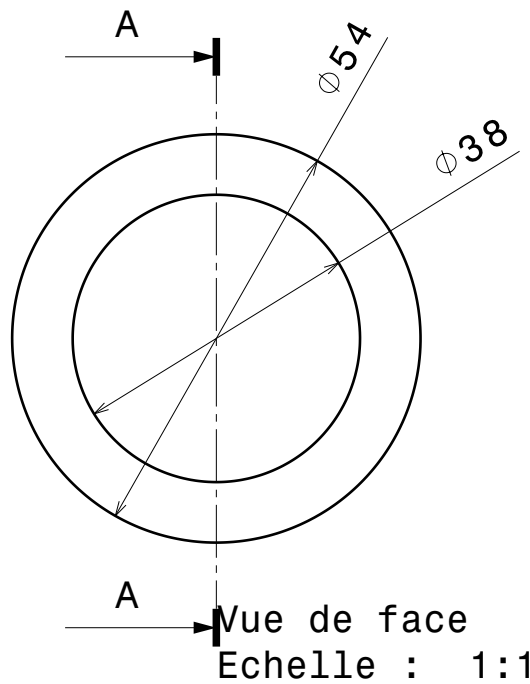
2

1

1

D

A



DESIGNED BY: <b>Elisa Space</b>		Ply Name	Bague d'ajout de masse	I	-
DATE: <b>27/04/2023</b>		Material	Acier	H	-
CHECKED BY: <b>XXX</b>		Direction	XXXX	G	-
DATE: <b>XXX</b>		Thickness	XXXX	F	-
SIZE <b>A4</b>		SequenceID	XXXX	E	-
SCALE <b>1:1</b>		GroupID	XXXX	D	-
WEIGHT (kg) <b>XXX</b>				C	-
				B	-
				A	-

This drawing is our property; it can't be reproduced or communicated without our written agreement.