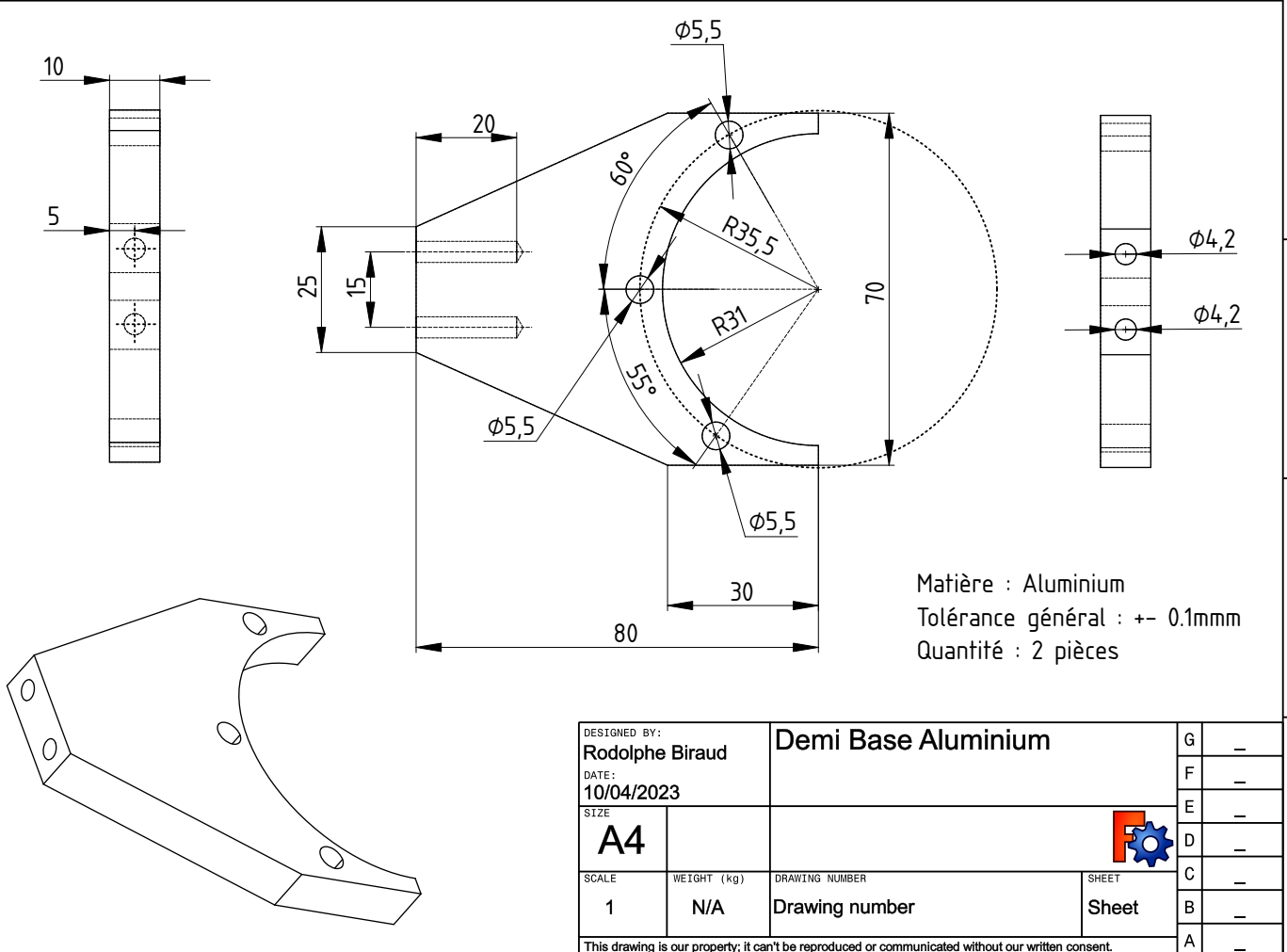


F E D C B A

4  
3  
2  
1



Matière : Aluminium  
 Tolérance général : +- 0.1mm  
 Quantité : 2 pièces

DESIGNED BY: <b>Rodolphe Biraud</b>		<b>Demi Base Aluminium</b>		G	-
DATE: <b>10/04/2023</b>				F	-
SIZE: <b>A4</b>				E	-
				D	-
SCALE: <b>1</b>		WEIGHT (kg): <b>N/A</b>		C	-
		DRAWING NUMBER: <b>Drawing number</b>		B	-
		SHEET: <b>Sheet</b>		A	-
This drawing is our property; it can't be reproduced or communicated without our written consent.					

F E D