

F

E

D

C

B

A

4

4

3

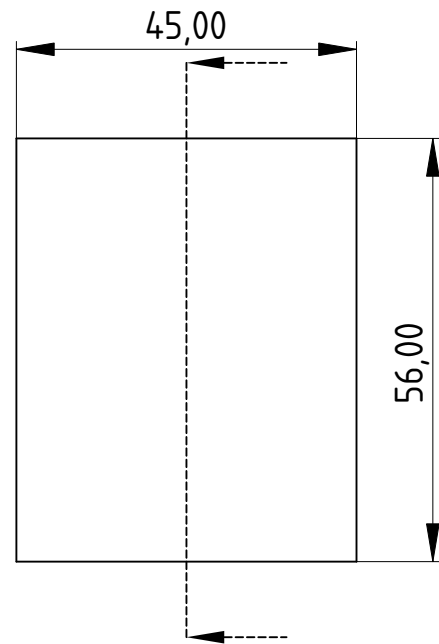
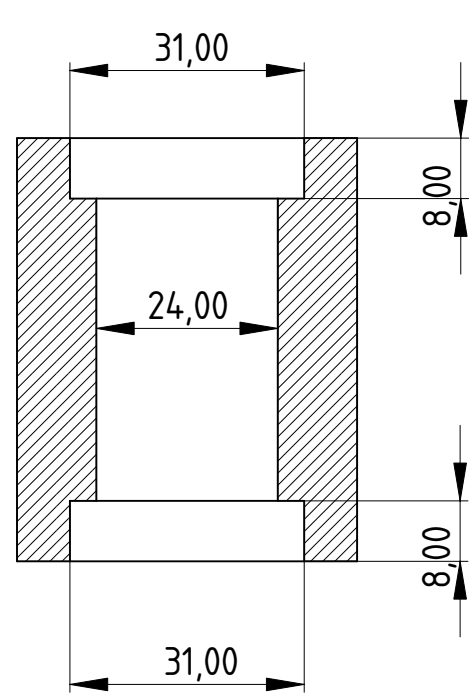
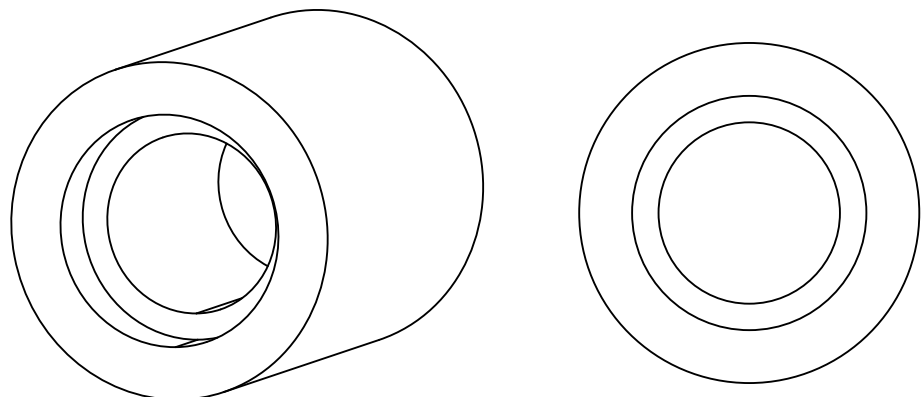
3


2

2

1

1



DESIGNED BY: Trolez C		Moyeux		G	—
DATE: 31/03/2023		Moyeux Renforcé ALU		F	—
SIZE A4				E	—
SCALE 1/1				WEIGHT (kg) Weight	DRAWING NUMBER 0001
		SHEET Sheet		C	—
				B	—
				A	—

This drawing is our property; it can't be reproduced or communicated without our written consent.

F

E

D