

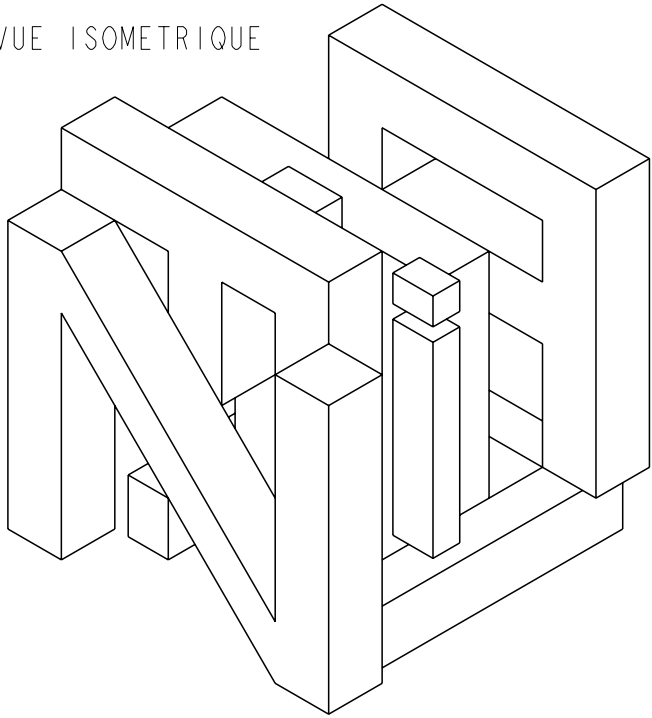
THIS INFORMATION IS CONFIDENTIAL AND PROPRIETARY TO
 TE CONNECTIVITY LTD. AND ITS WORLDWIDE SUBSIDIARIES
 AND AFFILIATES (TE). IT MAY NOT BE DISCLOSED TO ANYONE,
 OTHER THAN TE PERSONNEL, WITHOUT
 AUTHORIZATION FROM TE (www.TE.com).

printed on 25 Feb 2023 14:40 (Paris, Madrid) from E0000357

DWG NO

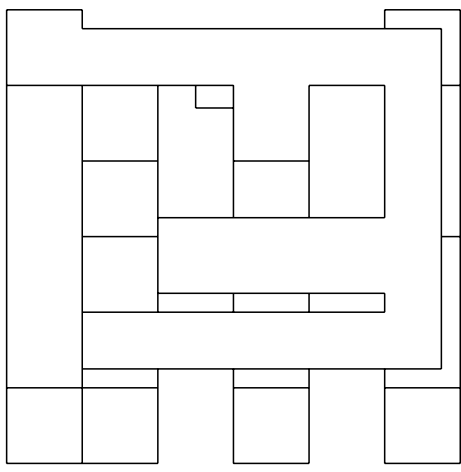
CUBELO_PROJECTION_V01

VUE ISOMETRIQUE

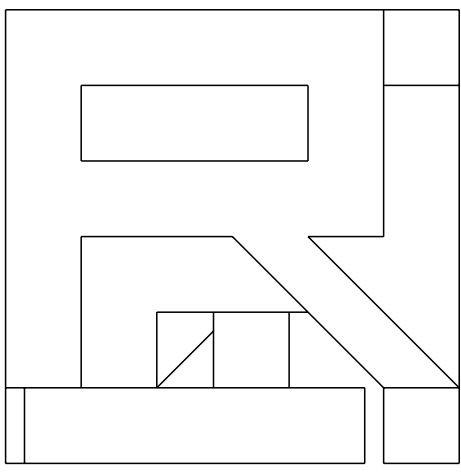


USED ON

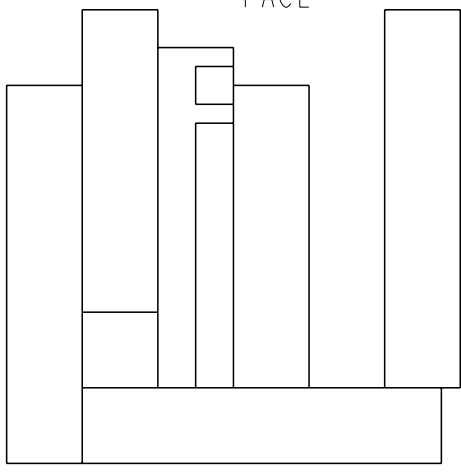
DESSOUS



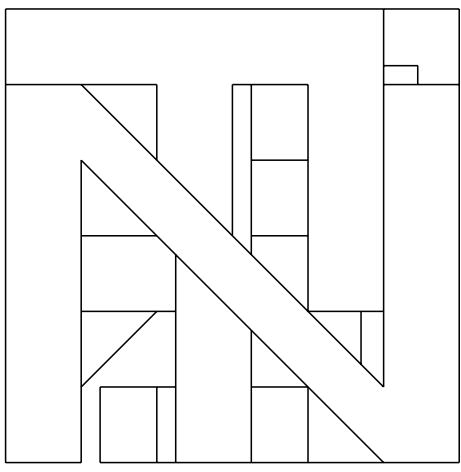
DROITE



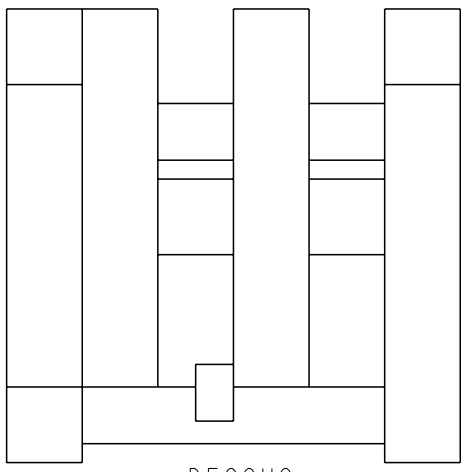
FACE


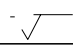


GAUCHE



DESSUS



					DWN	25FEB2023	CHK	-	APVD	-
					DIMENSIONS:			MATERIAL		
					mm			- HT TR -		
					TOLERANCES UNLESS OTHERWISE SPECIFIED:			 TE Connectivity		
					0 PLC ±0 1 PLC ±0 2 PLC ±0 3 PLC ±0 4 PLC ±0 ANGLES ±-					
LTR	REVISION RECORD	DATE	DWN	APVD	SURFACE TEXTURE			NAME		
THIS DRAWING IS A CONTROLLED DOCUMENT.								Cube		
SCALE			SIZE/FMT	DRAWING NO		SHEET		REV		
1:1			A4	CUBELO_PROJECTION_V01		1 OF 1		A		