

1

2

3

4

5

6

7

8

A

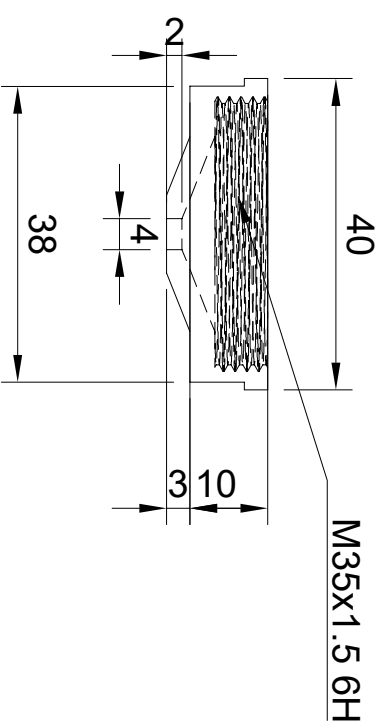
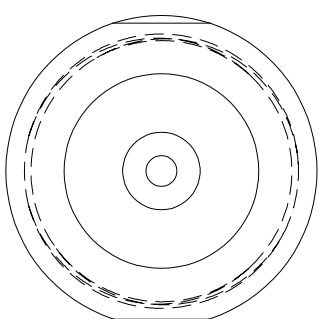
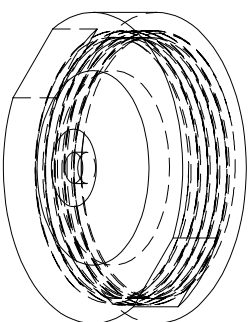
B

C

D

E

F



Dept.	Technical reference
-------	---------------------

Created by	Approved by
------------	-------------

Document type	Document status
---------------	-----------------

Title	DWG No.
-------	---------

<table border="1"> <tr> <td data-bbox="37 1617 121 2041">Buse</td> </tr> </table>	Buse	<table border="1"> <tr> <td data-bbox="37 2041 121 2487">Leopold Papon 20/03/2023</td> <td data-bbox="37 2487 121 2932"></td> </tr> </table>	Leopold Papon 20/03/2023				
Buse							
Leopold Papon 20/03/2023							
<table border="1"> <tr> <td data-bbox="37 2487 121 2576">Rev.</td> <td data-bbox="37 2576 121 2724">Date of issue</td> <td data-bbox="37 2724 121 2932">Sheet</td> </tr> <tr> <td data-bbox="37 2487 121 2576"></td> <td data-bbox="37 2576 121 2724"></td> <td data-bbox="37 2724 121 2932">1/1</td> </tr> </table>	Rev.	Date of issue	Sheet			1/1	
Rev.	Date of issue	Sheet					
		1/1					