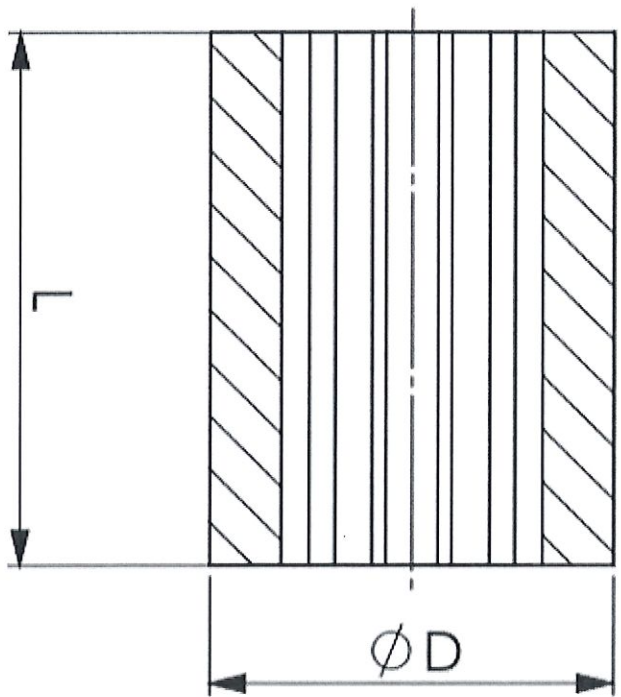


$C = 8 \text{ mm}$ $E = 30 \text{ mm}$ $F = 35 \text{ mm}$



$L = 35 \text{ mm}$ $\varnothing D = 47 \text{ mm}$

MAX 50 mm