

F E D C B A

4

3

2

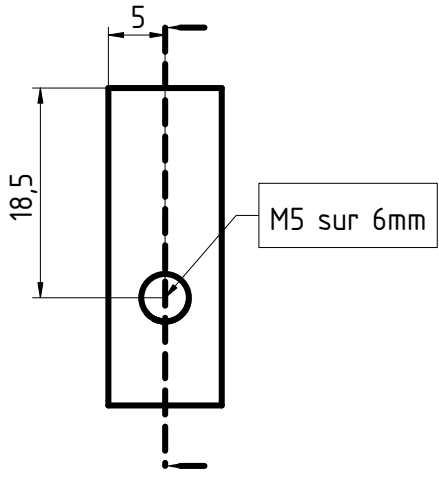
1

4

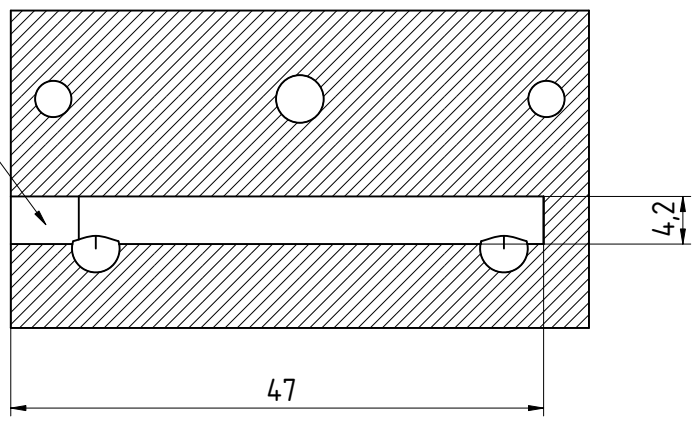
3

2

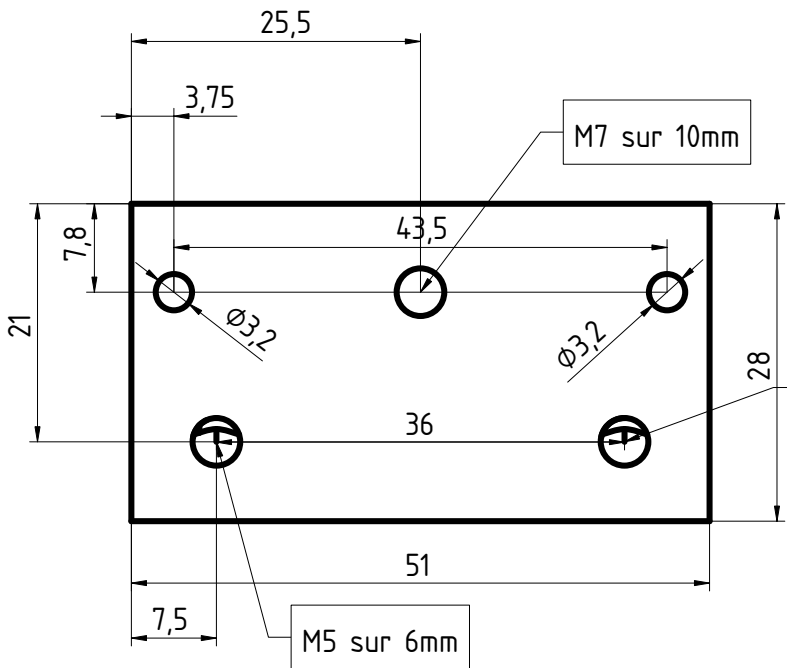
1



M5 sur 6mm



M5 sur 6mm



M7 sur 10mm

M5 sur 6mm

M5 sur 6mm

DESIGNED BY:
Grimaud Jimmy
DATE:
07/02/2023

Platine alu watercooling
Matière aluminium, tolérances standard

SIZE
A4

WEIGHT (kg)

DRAWING NUMBER

SHEET



SCALE
1,5/1

DRAWING NUMBER

SHEET

This drawing is our property; it can't be reproduced or communicated without our written consent.

G	—
F	—
E	—
D	—
C	—
B	—
A	—

F E D