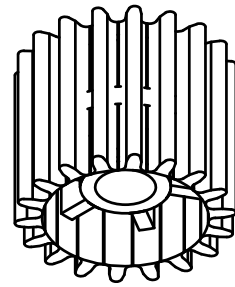
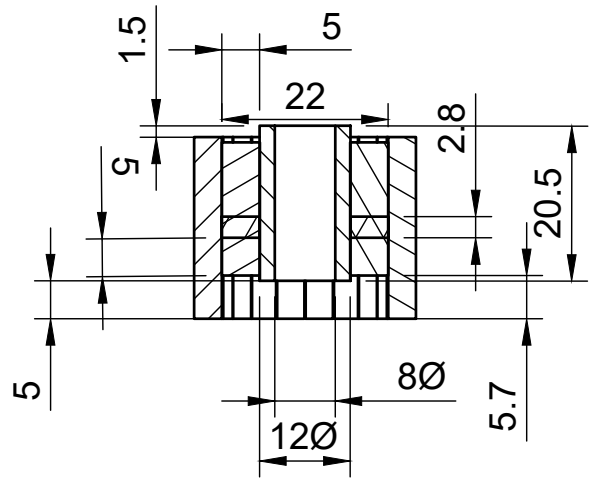


A-A (1:1)



Dept.	Technical reference	Created by pascal watrin 06/02/2023	Approved by	
		Document type	Document status	
		Title engrenage	DWG No.	
		Rev.	Date of issue	Sheet 1/1